

Brand ZUCCHETTI

Class MISCELLANEOUS

SAVOIR

Z94588.1900CN 2/3 way diverter.



2/3 way diverter without water on/off function, 1/2" outlets.
Smooth flange version.

R97830.1900

Rough-in _ 2 way diverter




R97835.1900

Rough-in _ 3 way diverter

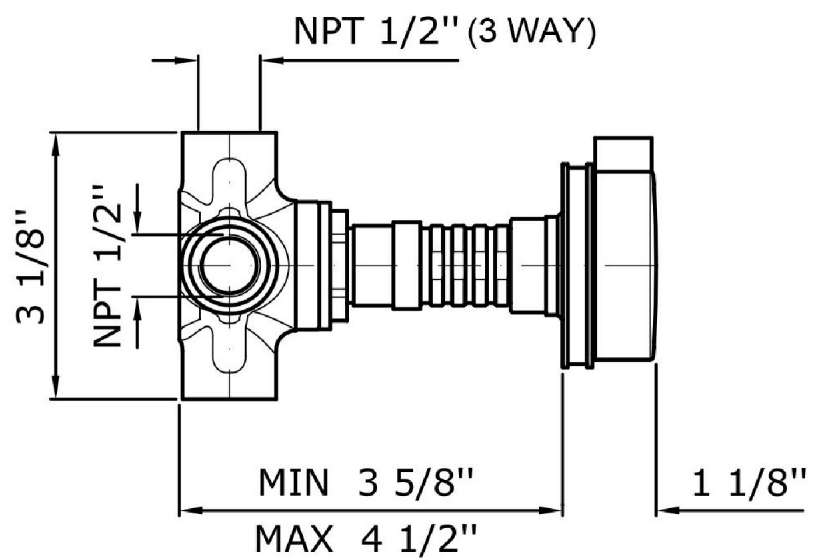
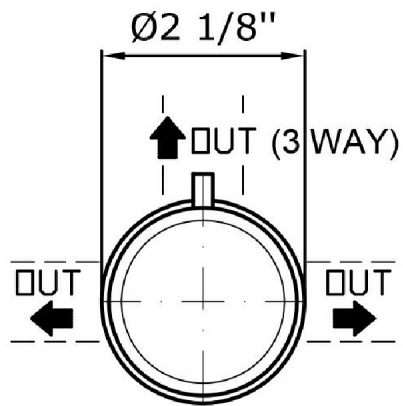


Finishes

 CN	 CC	 CW	 CR	 CL	 CV	 C8C8
Chrome + Black	Chrome + Chrome	Chrome + White	Chrome + Red	Chrome + Blue	Chrome + Green	Polished Nickel
 C8W	 C8N	 C8R	 C8L	 C8V		
Polished Nickel+White	Polished Nickel+Black	Polished Nickel+Red	Polished Nickel+Blue	Polished Nickel+Green		

SAVOIR

Z94588.1900CN Overall Drawing



Brand ZUCCHETTI

Class MISCELLANEOUS

SAVOIR

Z94588.1900CN Weights and Sizes

Weight (lb)	0,7 (Kg)	1,54322 (lb)
Volume (dc3) - (in3)	0,91 (dc3)	0,000056 (in3)
h (mm) - (in)	66 (mm)	2,5984266 (in)
L1 (mm) - (in)	111 (mm)	4,3700811 (in)
L2 (mm) - (in)	123 (mm)	4,8425223 (in)

