

artos

F904A-13TK

INSTALLATION GUIDE

3/4" thermostatic valve trim
kit only squ+safire

BRUSHED NICKEL(BN)



CHROME(CH)



artos

F904A-13TK

3/4" thermostatic valve trim
kit only squ+safire

OPERATING SPECIFICATIONS

for associated valve | F904A-V0



MIXED WATER TEMPERATURE

Maximum: 120°F

HOT WATER SUPPLY TEMPERATURE

Maximum: 185°F

Minimum: 50°F

Advisable: 150°F- 160°F

Minimum difference between hot mixed temperature 50°F

OPERATING PRESSURE

Maximum: 125psi

Minimum: 20psi

Recommended: 30psi- 95psi

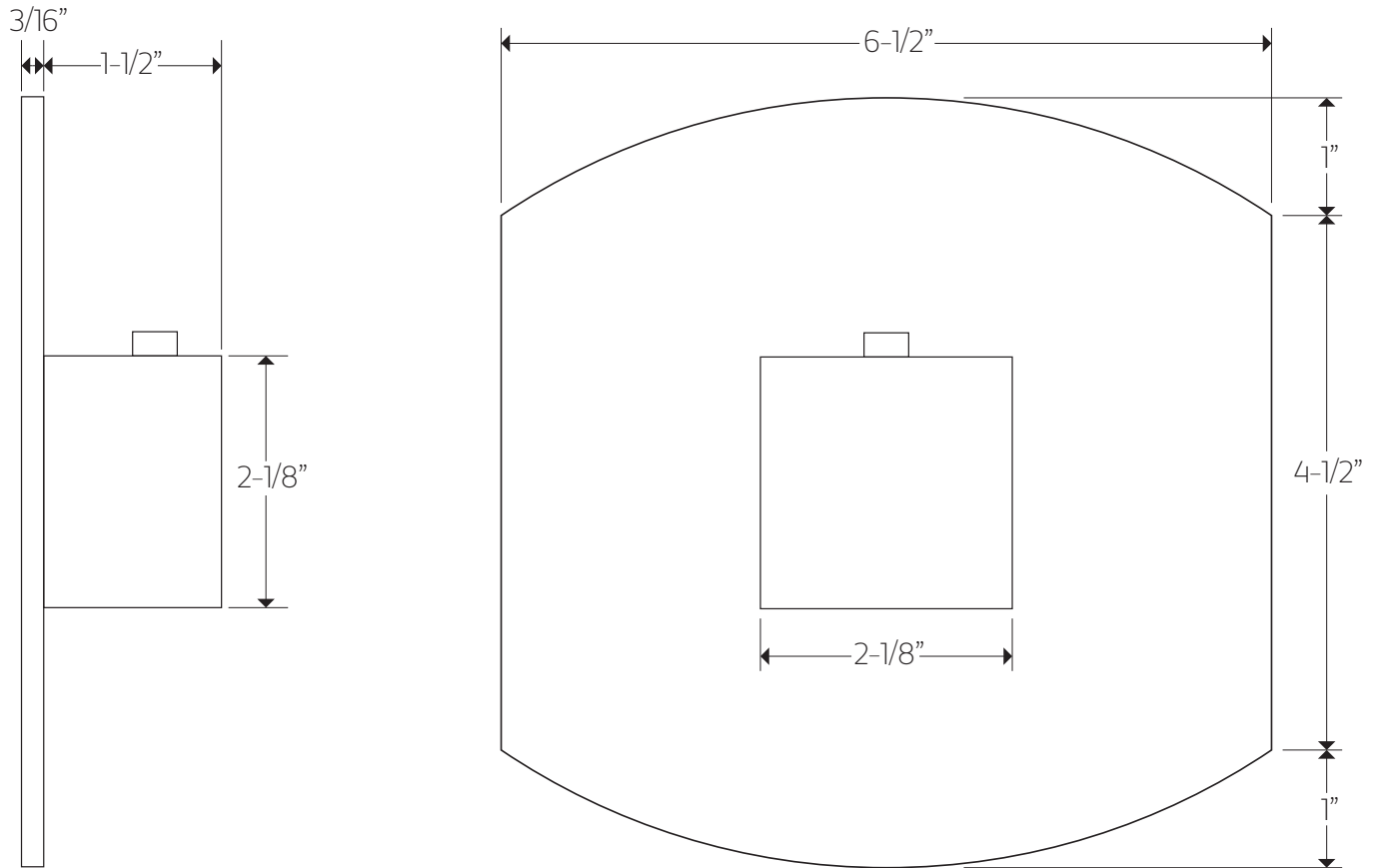
Operating pressures (on hot and cold lines) should be kept as balanced as possible, in order to assure the maximum efficiency.

artos

F904A-13TK

PRODUCT DIMENSIONS

3/4" thermostatic valve trim
kit only squ+safire

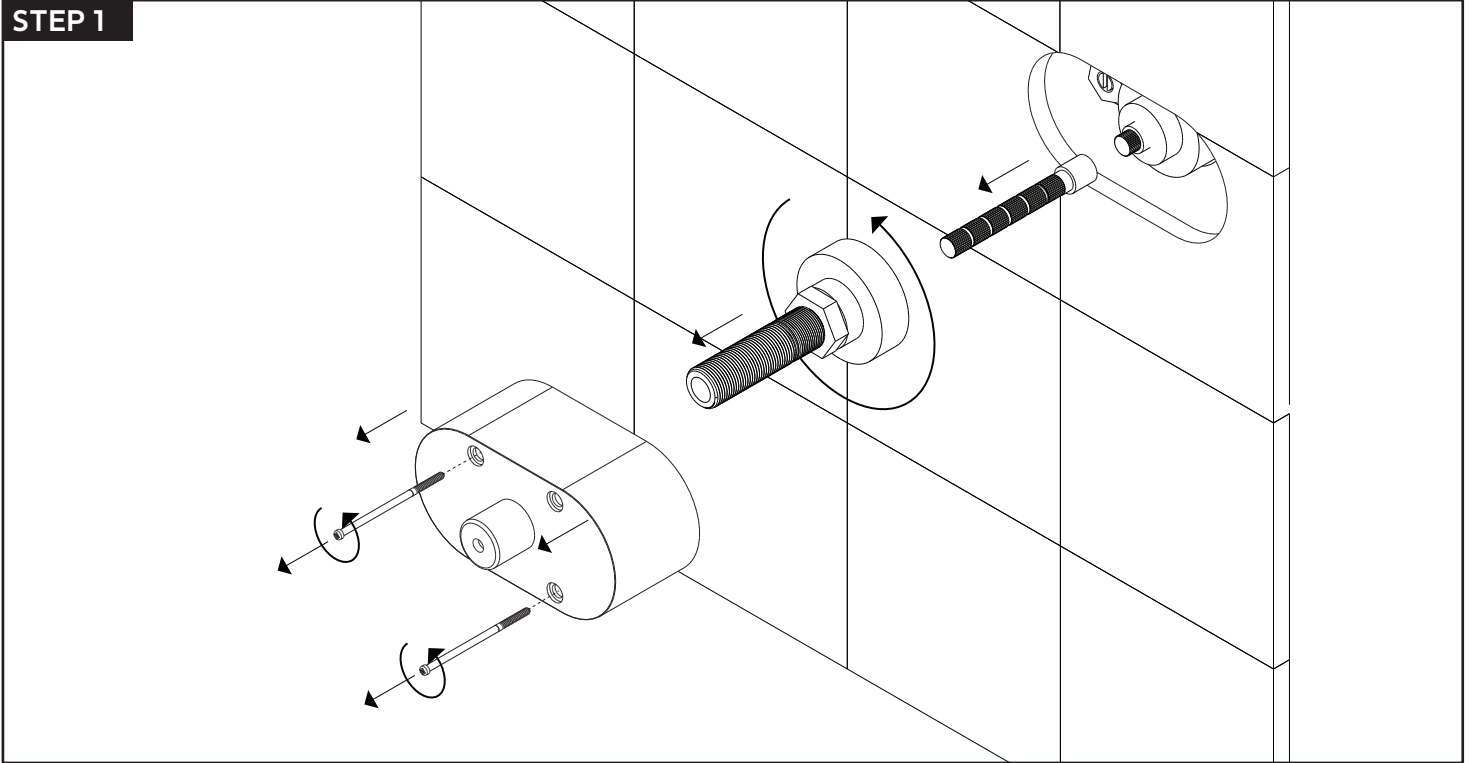


artos

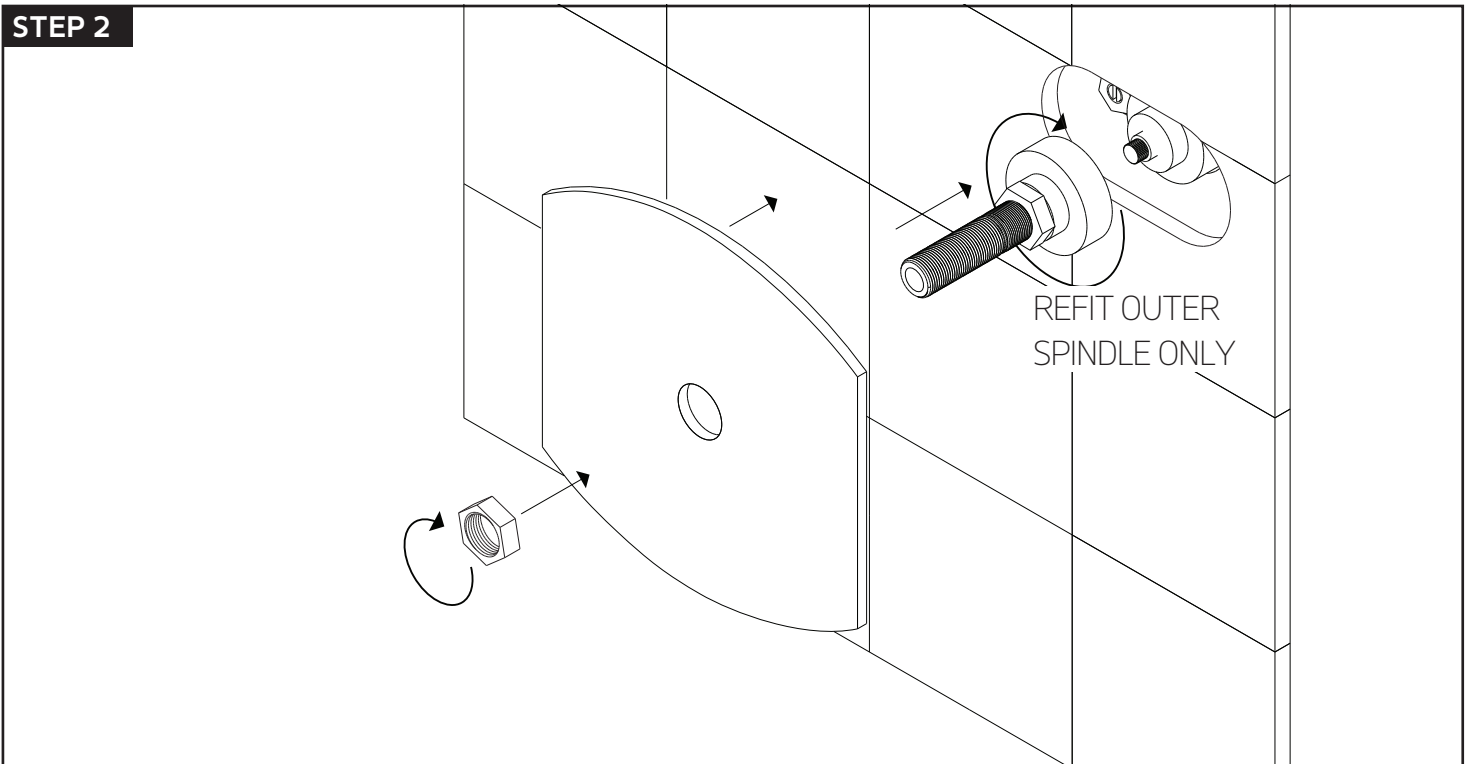
F904A-13TK

3/4" thermostatic valve trim
kit only squ+safire

STEP 1

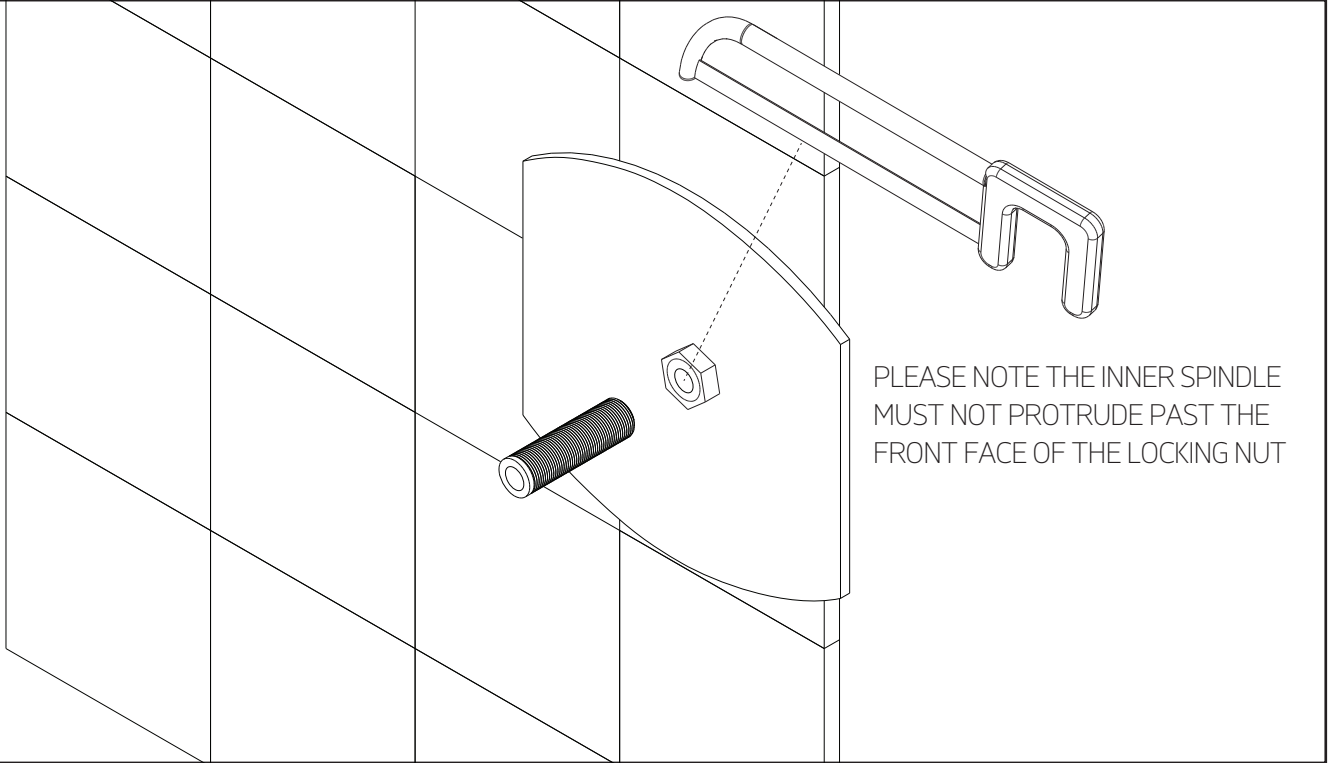


STEP 2

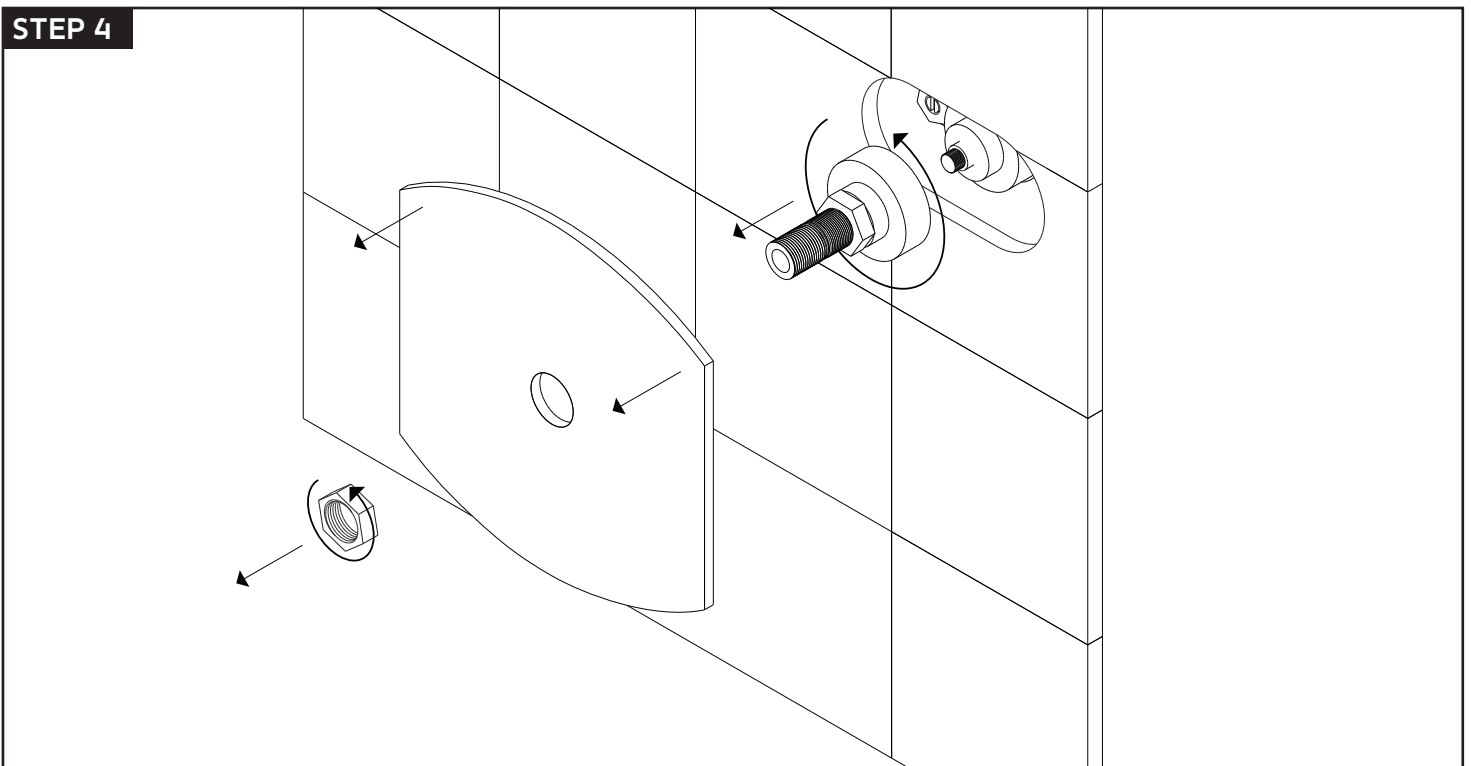


INSTALLATION STEPS

STEP 3



STEP 4

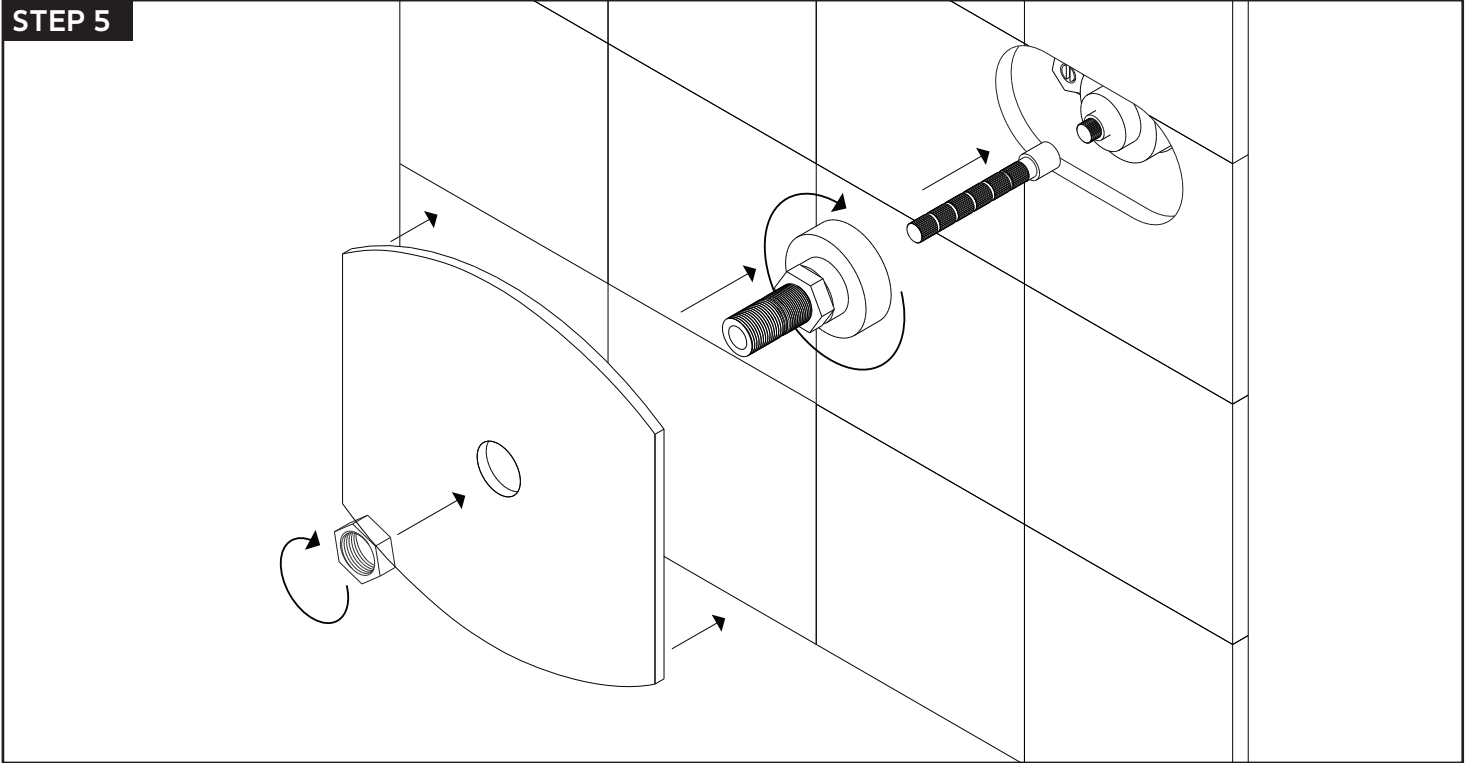


artos

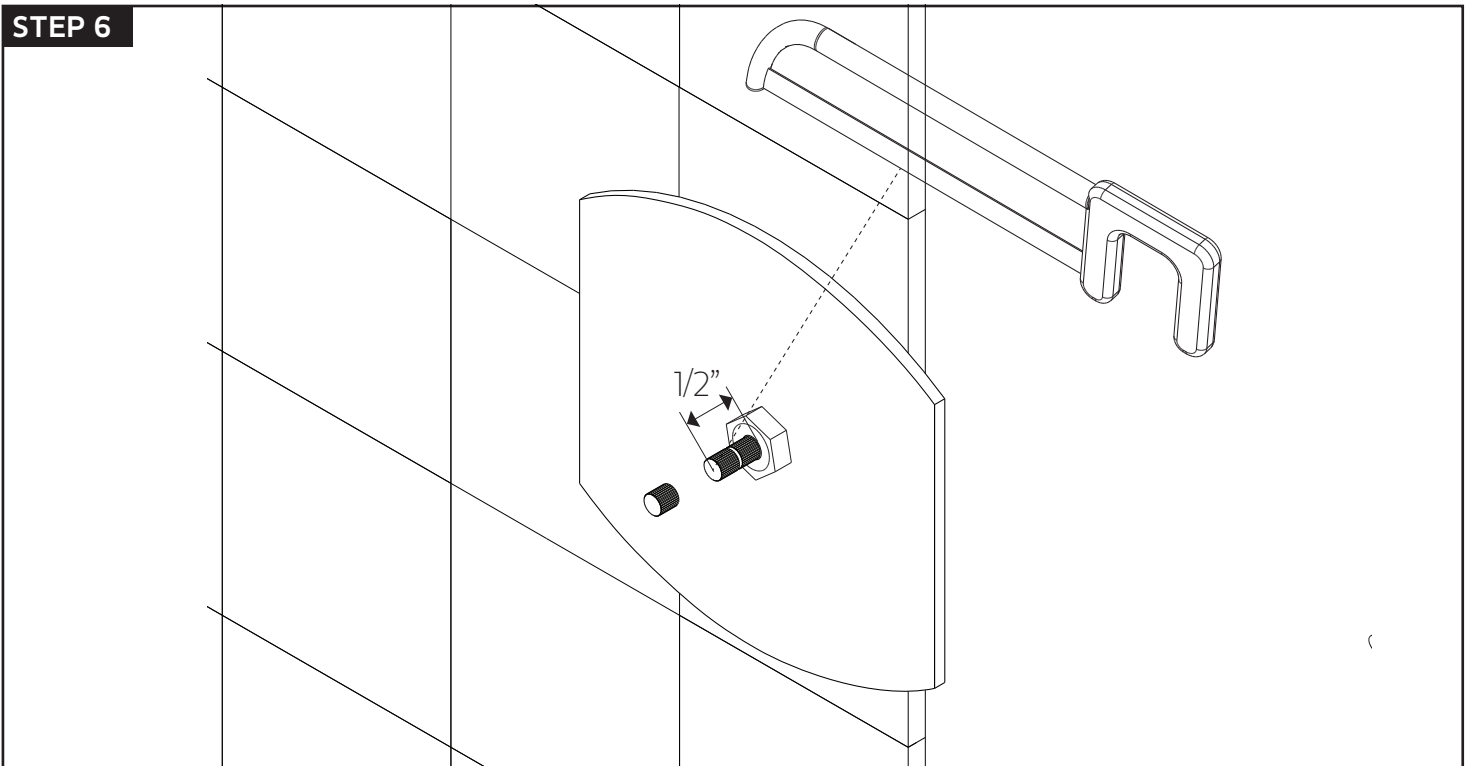
F904A-13TK

3/4" thermostatic valve trim
kit only squ+safire

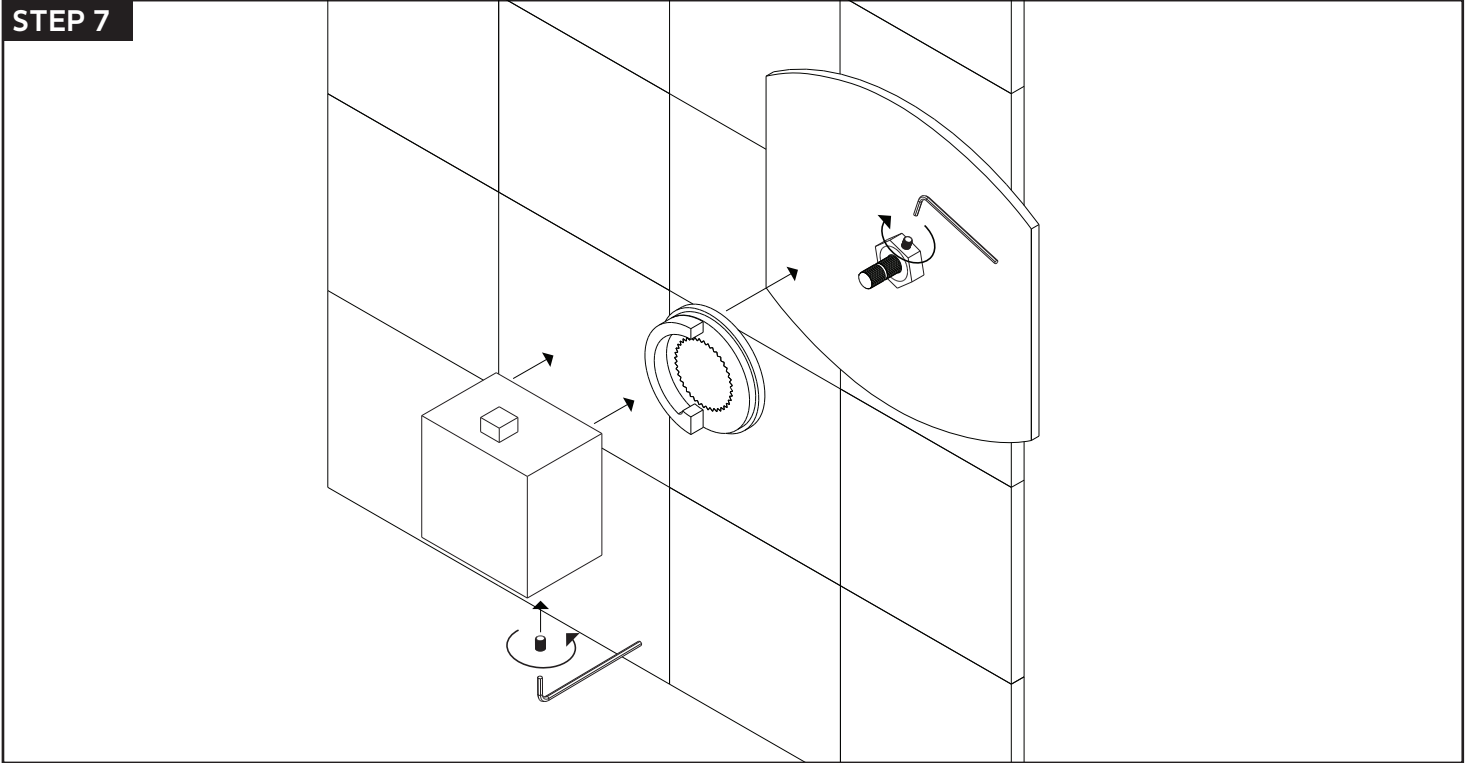
STEP 5



STEP 6



STEP 7

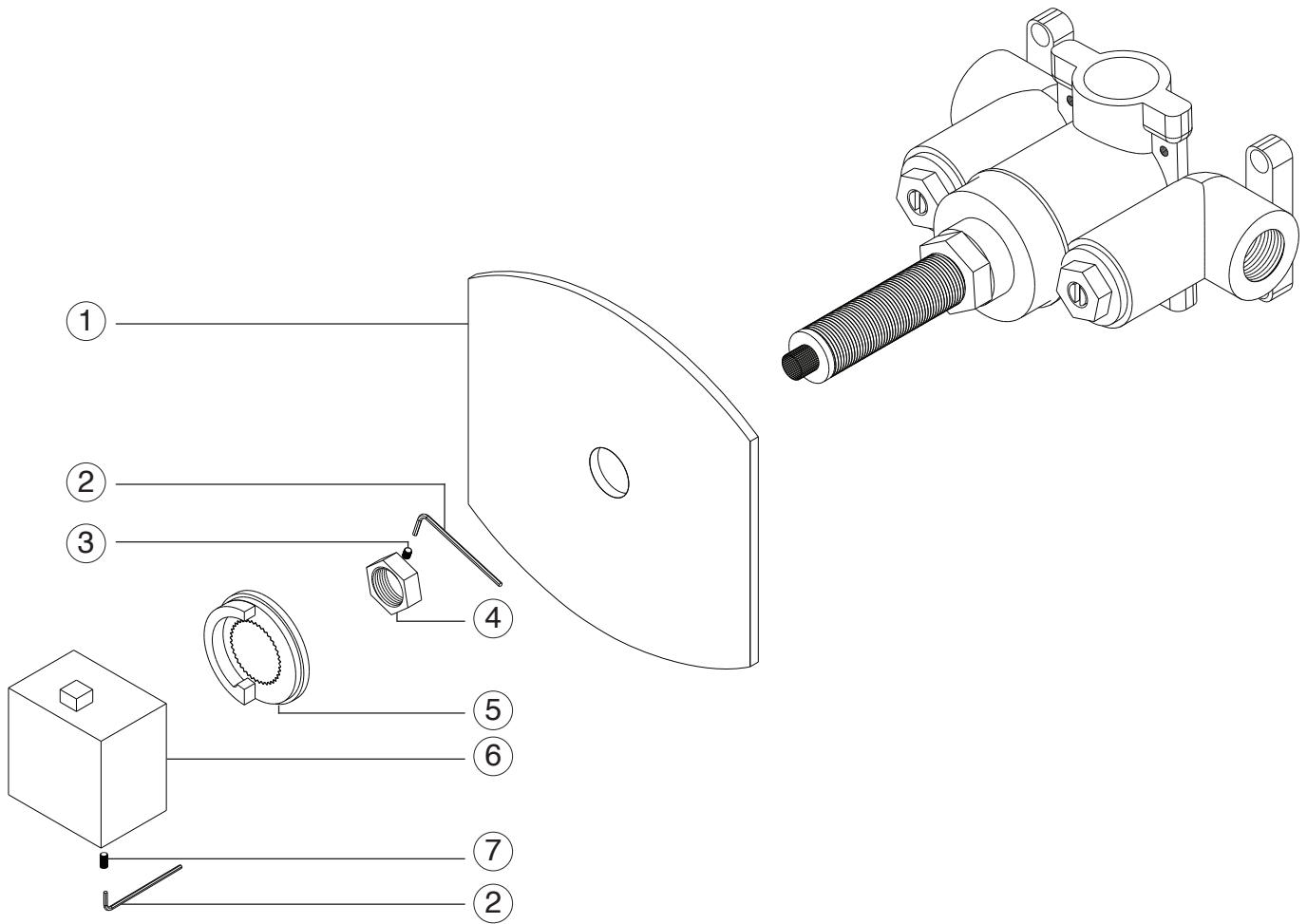


artos

F904A-13TK

PARTS BREAKDOWN

3/4" thermostatic valve trim
kit only squ+safire



- ① **ESCUTCHEON** F904A-13TK XP1
- ② **ALLEN WRENCH** F904A-13TK XP2
- ③ **LOCKING NUT SET SCREW** F904A-13TK XP3
- ④ **LOCKING NUT** F904A-13TK XP4
- ⑤ **ANTI SCOLD RING** F904A-13TK XP5
- ⑥ **HANDLE** F904A-13TK XP6
- ⑦ **HANDLE SET SCREW** F904A-13TK XP7

artos

F904A-13TK

3/4" thermostatic valve trim
kit only squ+safire

CARE & MAINTENANCE

For best results, keep the following in mind to retain the high quality finish of your artos® faucets:

- Use a soft, dampened sponge or cloth. On no account should you use an abrasive material such as a brush, scouring pad or steel wool to clean surfaces.
- Test your cleaning agent solution on an inconspicuous area before applying to the entire faucet.
- Wipe surfaces clean and rinse completely with water immediately after applying cleaning agent.
- An ideal cleaning technique is to rinse faucet thoroughly and blot dry any water from the surface after each use.

LIMITED LIFETIME WARRANTY

Artos® Limited Lifetime Warranty

Artos® faucets have been manufactured under the highest quality and manufacturing standards. Artos® faucets are guaranteed for life against leaks and manufacturing defects for as long as the original consumer purchaser owns it. This warranty applies to installations in the US, Canada and Mexico (North America). Commercial, Industrial or business uses are warranted for a period of one year from the original date of purchase.

This warranty is non-transferable and applies exclusively to the original owner or end-user. If a defect is found during normal use, Artos® will, at its election, repair, replace or make an appropriate adjustment. Damage caused by accident, misuse, abuse, improper installation or alteration will void the warranty. This warranty does not cover replacement parts where damage is caused by normal wear and tear. Labor charges, installation or other incidental or consequential costs will not be covered.

Replacement parts that qualify for warranty repair can be obtained by contacting Artos® at 1-877-9ARTOS9 or by e-mail at info@artos.us.com. Proof of purchase (original sales receipt) from the original consumer purchaser must accompany all warranty claims. When submitting your claim in writing, please provide your name, address and telephone number.

Please register this product online at WWW.ARTOS.US.COM

Item No : **F 904A-13TK**
Serial No :