

Sinks

VLBRS 24

LAB COLLECTION

Design Pierre Bélanger and WETSTYLE Design Lab



FEATURES

Handcrafted in Montreal, Canada

Available with or without overflow

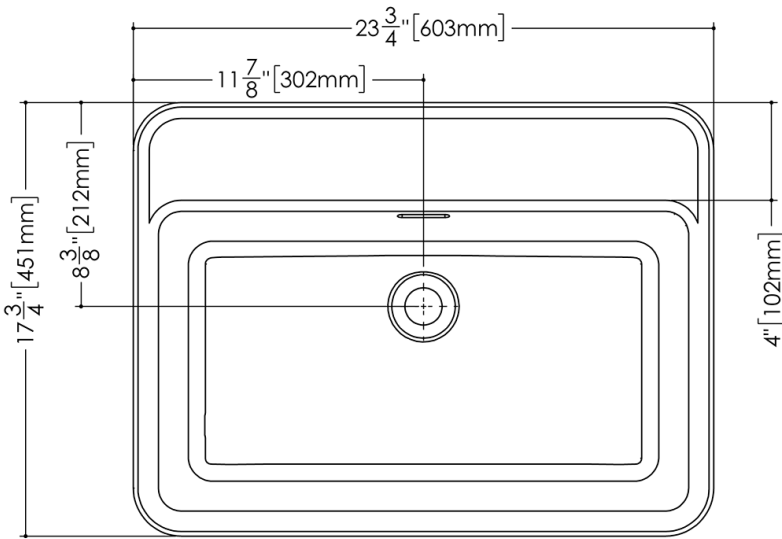
Overflow trim finish options: polished chrome, brushed nickel, matte black, satin brass or no metallic trim

Faucet hole options: 1 hole (for mono faucet), 3 holes (for widespread faucet) or no hole (for wall-mounted faucet)

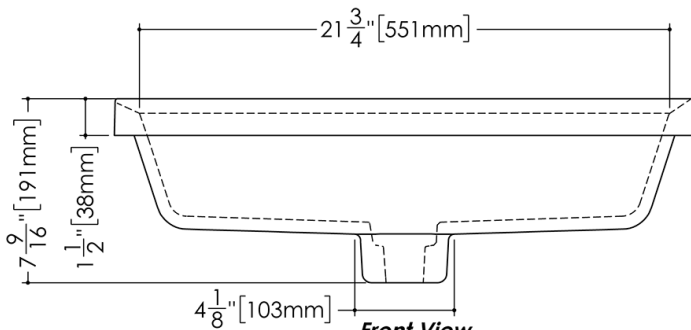
Option: Pop-up drain

TECHNICAL DETAILS

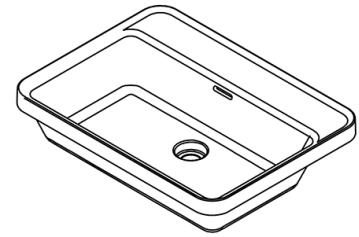
- **Width:** 17.75"
- **Length:** 23.75"
- **Height:** 1.5"
- **Weight:** 23 lbs / 10 kg



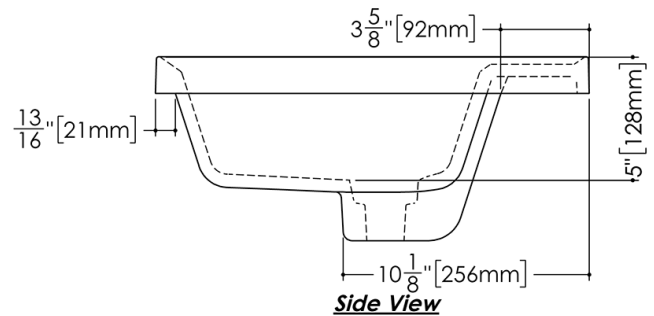
Top View



Front View



Perspective View
Esc: 1:12



Side View

VLBR5 24

WETSTYLE cannot be held responsible for any technical errors and reserves the right to make revisions without notice. Approximate measurement. The manufacturer accepts 1/4" (6.35mm) variance.

OPTIONS

Model

- VLBR524

Overflow

- No Overflow
- With Overflow - Brushed Nickel (#BN)
- With Overflow - Matte Black (#MB)
- With Overflow - No Trim (#NT)
- With Overflow - Polished Chrome (#PC)
- With Overflow - Satin Brass (#SB)

WETMAR BiO Finish

- White Matte (#MA)
- White True High Gloss (#GA)

Faucet Hole Drilling

- No Faucet Hole
- One Hole for Mono Faucet (#1)
- Three Holes for Widespread Faucet (#8)

NOTES

IMPORTANT: This sink has a recessed drain hole. For a perfect fit, we strongly recommend using the following drain models: DS02RF or DS02RF-O