



## **FRAME LINEA CABINET INSTALLATION GUIDE**

S T Y L E

### **INDEX**

<b>Before you begin</b>	p.1
<b>Installation</b>	
• <b>Wall preparation – Surface Mounted</b>	p.3
• <b>Wall preparation – Recessed Mounted</b>	p.4
• <b>Cabinet preparation</b>	p.7
• <b>Electrical preparation</b>	p.8
• <b>Cabinet installation</b>	p.9
• <b>Cleaning guide</b>	p.14
• <b>Warranty</b>	p.14

### **BEFORE YOU BEGIN**

Thank you for choosing from WETSTYLE's line of quality products.

Please note that prior to shipment from the manufacturing facility, the furniture you have received has passed quality control and was in excellent condition upon leaving the WETSTYLE facility.

We recommend that you carefully inspect the product prior to its installation. If there are any defects, please contact the dealer from whom you purchased the product and please DO NOT install the furniture. WETSTYLE will not be held responsible for any defects or damage discovered once the furniture is installed.

It is highly recommended that a professional undertake the installation of the Vanity.

Please read this guide carefully to ensure the proper installation and reliability of your product for many years to come.

For assistance, please call customer service at 1.888.536.9001.

**WARNING!**

To reduce the risk of fire, electric shock, or injury to persons, please read these instructions thoroughly before using this product.

Important Safety Instructions must be kept for future use.

**TOOLS AND EQUIPMENT**

- Drill and bits
- Measuring tape
- Protective paper
- Pencil
- Level
- Protective eyeglasses
- Wood screw #8, 5/8" and 1-1/2" long
- Wood screw #10, 3" and 4" long

**IMPORTANT**

This installation might require custom placement of studs relative to the position of the product in the room. Please read the instructions related to your Vanity model carefully.

## MIRROR CABINET

The FRAME LINEA Mirror Cabinet may be surface or recessed mounted. In either installation scenario, special wall preparation is needed prior to installation of the unit.

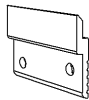
### **A. MIRROR CABINET** - SURFACE MOUNTED

#### Wall Preparation Steps

- 1.1 Make sure that walls and floor are straight and level.
- 1.2 Determine overall cabinet dimensions.
- 1.3 Determine the desired location of the cabinet.
- 1.4 The distance between studs should not be more than 16".
- 1.5 Metal studs should be reinforced vertically by 2" x 4" wooden studs. This is applicable for both Frame Cabinet and Vanities.
- 1.6 Metal and wooden studs should be reinforced horizontally with 2" x 6" wooden studs at anchoring heights:
  - 73" along the full width of the mirror cabinet
- 1.7 Do not apply the product to the wall surface until all braces and mounting clips have been installed and all plumbing and electrical roughins have been completed.

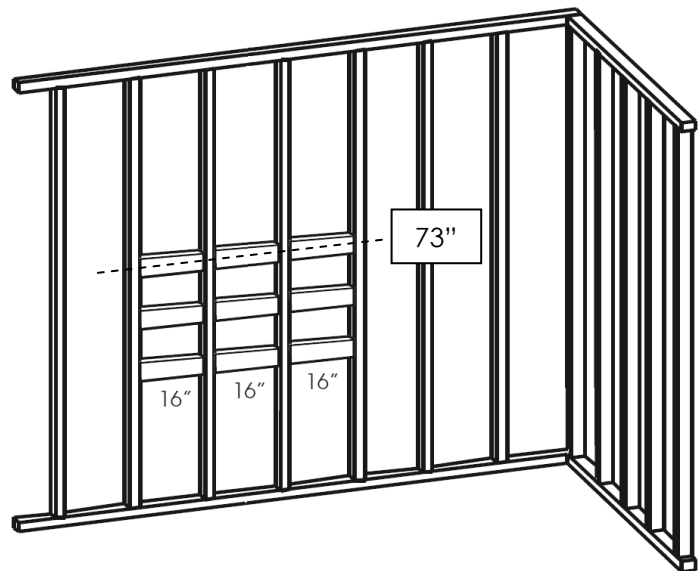
#### Heights:

Mirror Cabinet (Monarch-clips): 73"



Mirror Cabinet (Wall Anchor)\*: 47 1/2"  
& 72 1/2"

Electrical Feed: 68"



\* See diagram on page 9

**B. MIRROR CABINET** - RECESSED MOUNTED (ignore this step if SURFACE MOUNTED and proceed to section C)

Wall Preparation Steps

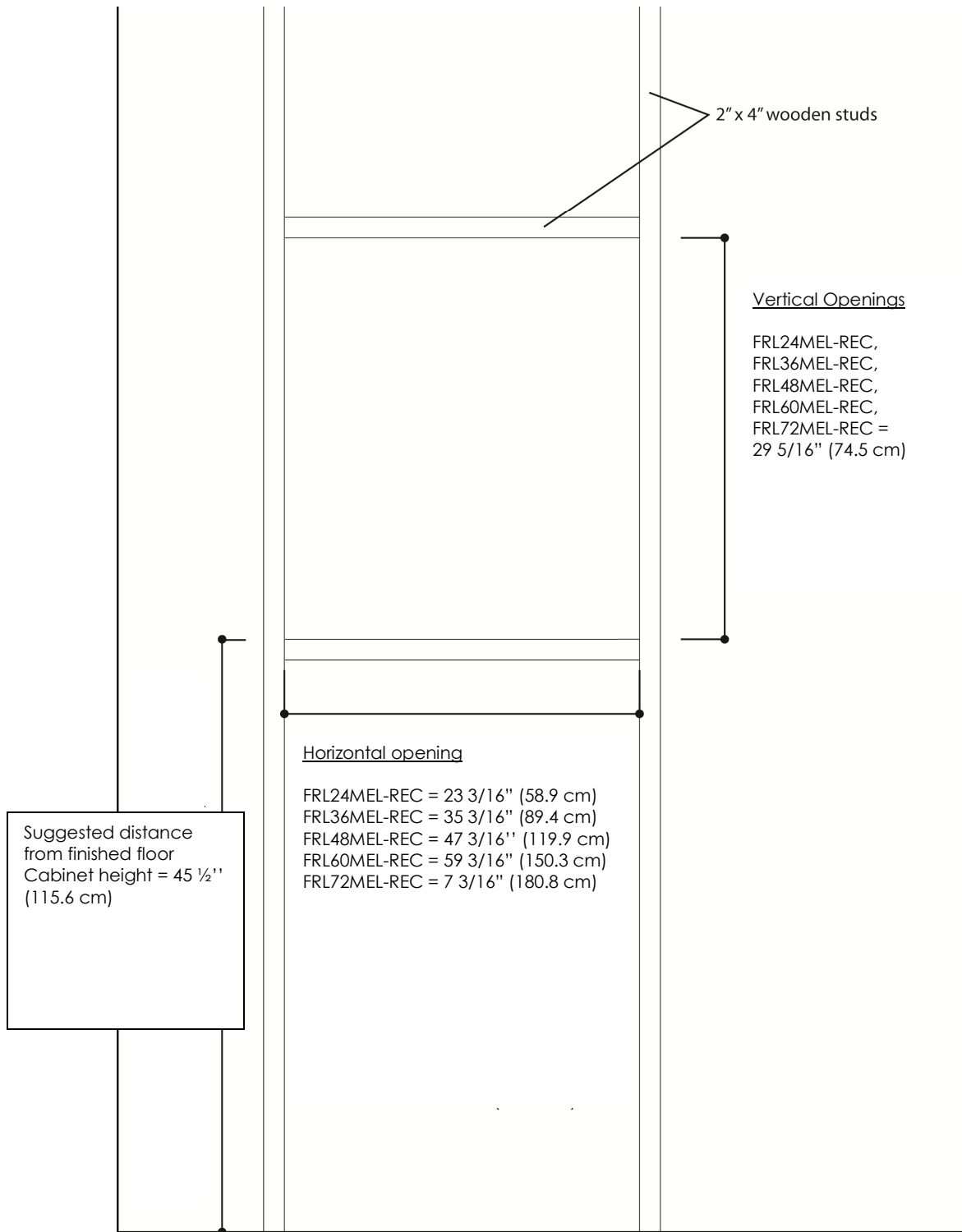
The FRAME recessed cabinet collection is designed for a 4" (101.6 mm) deep opening and needs special wall preparation.

1. Make sure that walls and floor are straight and level.
2. Determine overall cabinet dimensions.
3. Determine the desired location of the cabinet.
4. The distance between studs is determined by the cabinet size you purchased. Refer to diagrams below to find the correct stud position to mount your cabinet.
5. Metal studs should be reinforced vertically by 2" x 4" wooden studs.
6. Metal and wooden studs should be reinforced horizontally with 2" x 6" wooden studs at the position of the wall opening for your corresponding cabinet model.  
**(See CHART for Rough Wall Openings below)**
7. Do not apply the product to the wall surface until all braces and mounting clips have been installed and all plumbing and electrical roughins have been completed.
8. Do not apply the wall surface until you test your stud placement with your cabinet size and make sure the cabinet will cover the rough wall opening.

**RECESSED MIRROR CABINET- ROUGH OPENINGS**

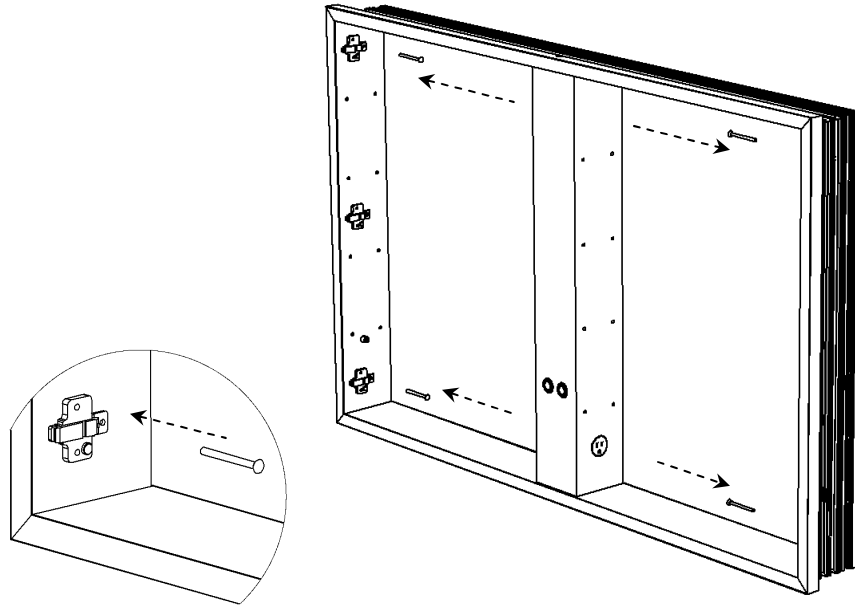
Model	Product size	Opening size
FRL24MEL-REC	23 7/8"x 30" 60.6 cm x 76.2 cm	23 3/16" x 29 5/16" 58.9 cm x 74.5 cm
FRL36MEL-REC	35 7/8"x 30" 91.1 cm x 76.2 cm	35 3/16" x 29 5/16" 89.4 cm x 74.5 cm
FRL48MEL-REC	47 7/8"x 30" 121.6 cm x 76.2 cm	47 3/16" x 29 5/16" 119.9 cm x 74.5 cm
FRL60MEL-REC	59 7/8"x 30" 152.1 cm x 76.2 cm	59 3/16" x 29 5/16" 150.3 cm x 74.5 cm
FRL72MEL-REC	71 7/8" x 30" 182.6 cm x 76.2 cm	71 3/16" x 29 5/16" 180.8 cm x 74.5 cm

# WALL OPENING DIAGRAM



\* Please note that rough opening sizes include a 5/32" gap all around the cabinet for levelling purposes. This will yield an actual 11/32" overlay of the cabinet over the opening

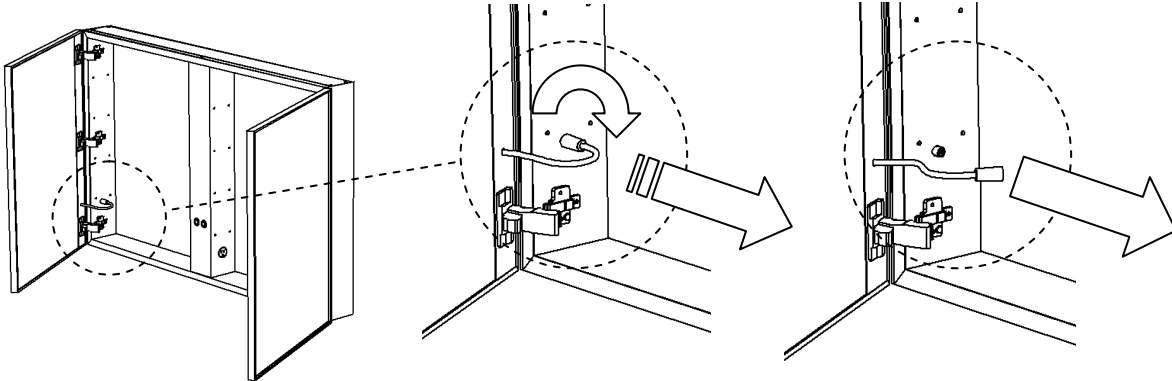
9. Once cabinet is positioned within wall opening, secure fixture with 4x 1-½" long No.8 wood screws through pre-holes provided with top and bottom hinge mounting plates.



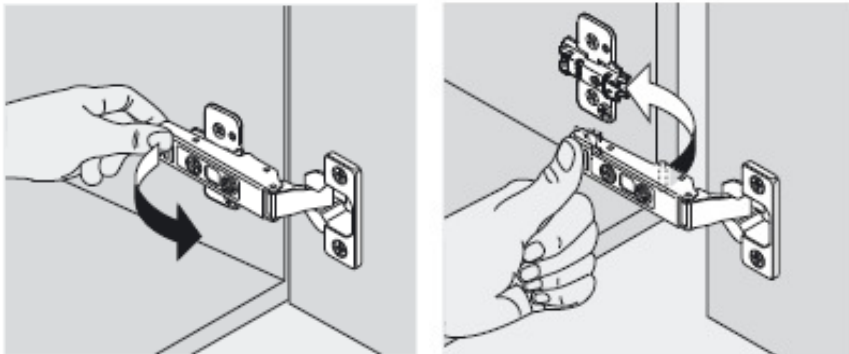
### **C. CABINET PREPARATION**

*Prior to installation,*

1. Carefully remove unit from packaging.
2. Gently remove packaged glass shelves, wooden shelves and hardware bag from within cabinet.
3. If your unit has the defogger option, you must disconnect the Defogger Connectors prior to removing the cabinet doors. Unscrew security ring (1/4 turn) on connector and remove as depicted below.



4. Remove and store doors while you continue installation.



Removal

Assembly

**NOTE: ELECTRICAL PREPARATON**

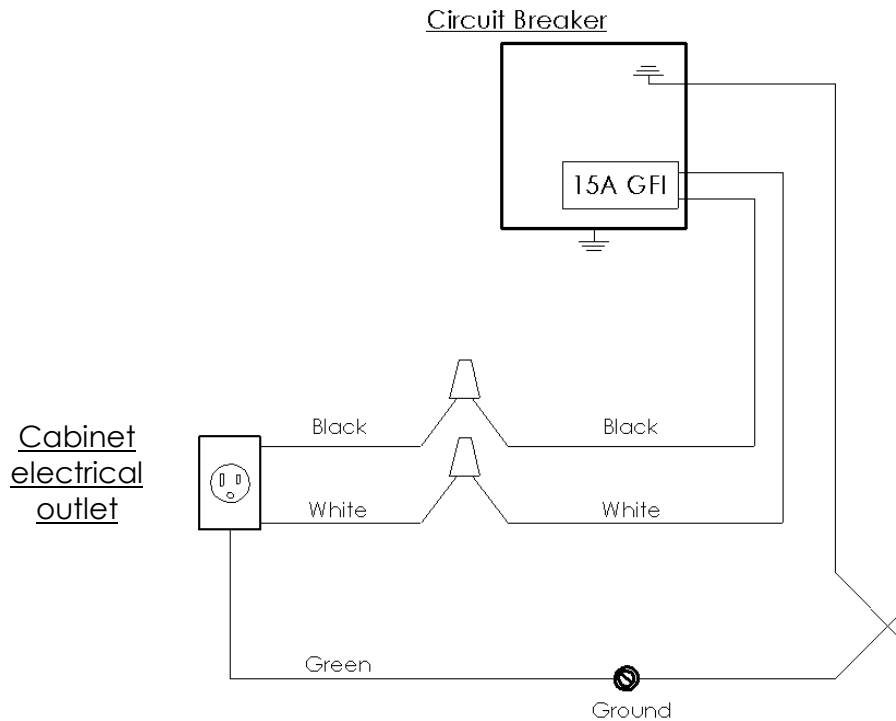
***It is mandatory to have a qualified and licensed electrician install and provide all wiring for the cabinet***

**WARNING:** To reduce the risk of electrical shock, shut off power before wiring the cabinet.

**CAUTION:** Requires 110 VAC 15 Amp circuit.

**CAUTION:** Proper bonding must be supplied to the mirrored cabinet as to equalize ground potential and eliminate static discharge between components. Please bond the entire system at the indicated location with supplied hardware.

**CAUTION:** Cabinet must be wired to a 15 Amp GFI (Ground Fault Interrupter) **circuit breaker** when used in bathrooms and all other locations required by the local Electric Code.

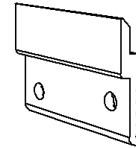




**D. CABINET INSTALLATION**

1. In the case of SURFACE MOUNTED, the FRAME mirror cabinet must be wall-mounted with the MONARCH mounting clips provided with the furniture as seen in the exhibit below. These Monarch mounting clips are used to mount cabinet on wall, for levelling and installation support. The cabinet is secured to the wall using security tie-down, 3" long #10 wood screws at wall post, however this is to be done at a later step and after wooden console and electrical preparation as explained in next sequence of steps.

<b><u>NOTE (Number of Monarch clips per model)</u></b>	
FRL24MEL:	2 clips
FRL36MEL & FRL48MEL:	3 clips
FRL60MEL & FRL72MEL:	4 clips

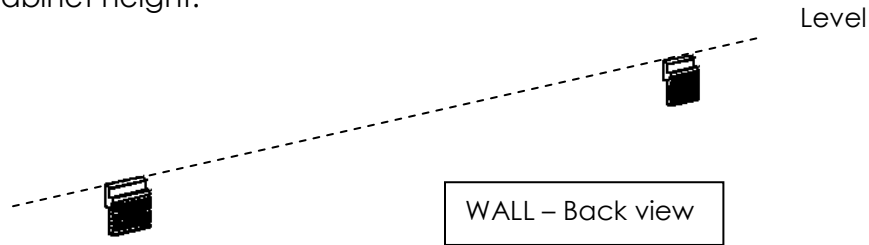


*Monarch mounting clip*

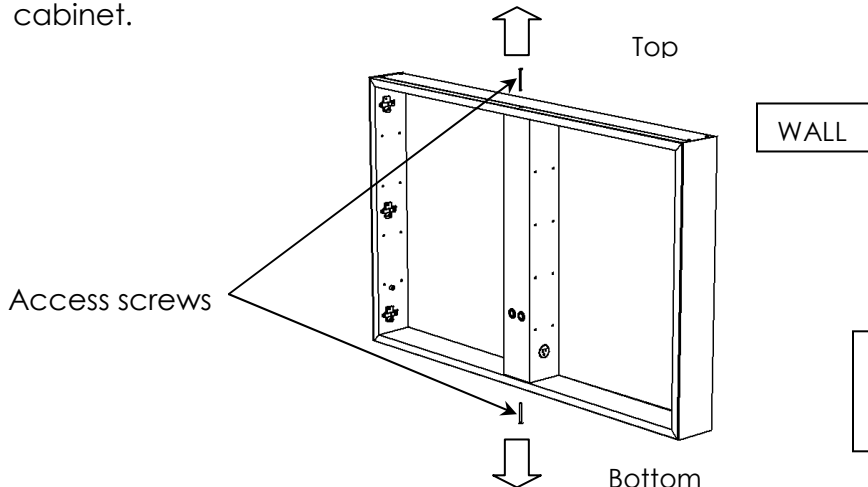
**CAUTION:** Cabinet is to be hung onto the Monarch Clips provided

**NOTE:** Mounting clips and shelf pins are packaged with glass shelves.

2. Align and level mounting clips according to horizontally reinforced studs and desired cabinet height.

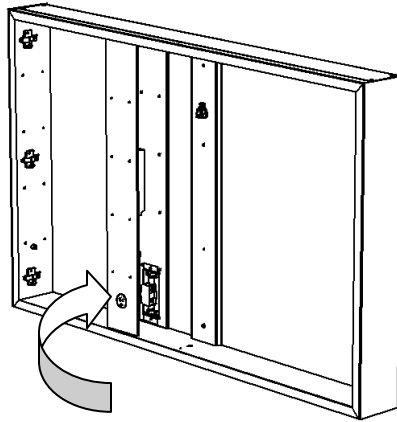


3. Space mounting clips evenly along width of cabinet.
4. Install mounting Clips to the wall using 3" long #10 wood screws. Fasten securely.
5. Unfasten wooden consoles by removing access screws at top and bottom of the cabinet.

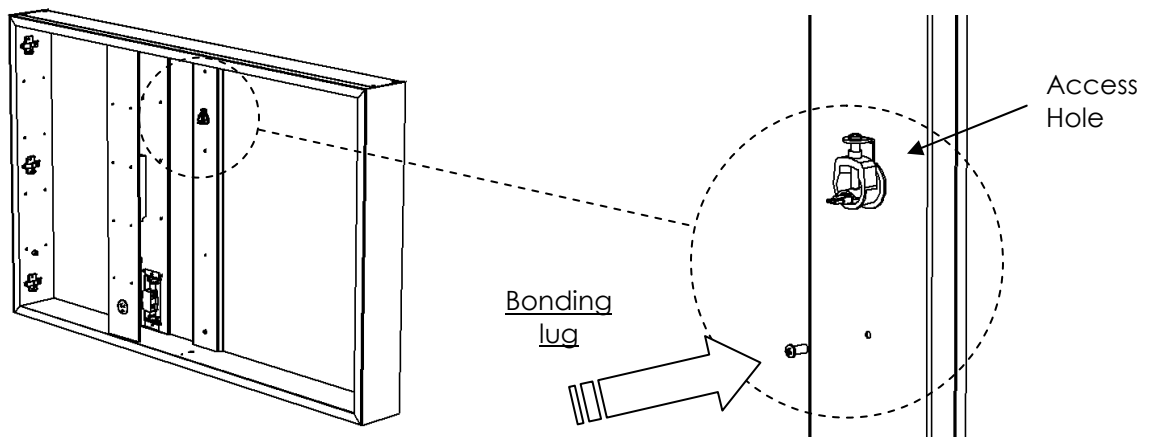


- FRAME LINEA CABINET INSTALL GUIDE -  
(2018-05-07)

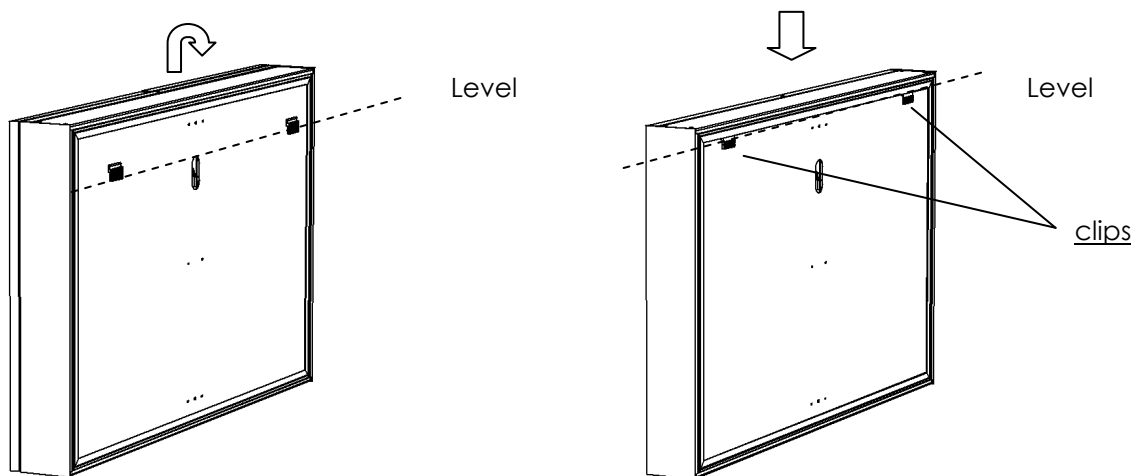
6. **Gently turn** the wooden console to its side within the cabinet. Be aware that there are wiring connections inside. Installation should be cautious and gentle at this stage.



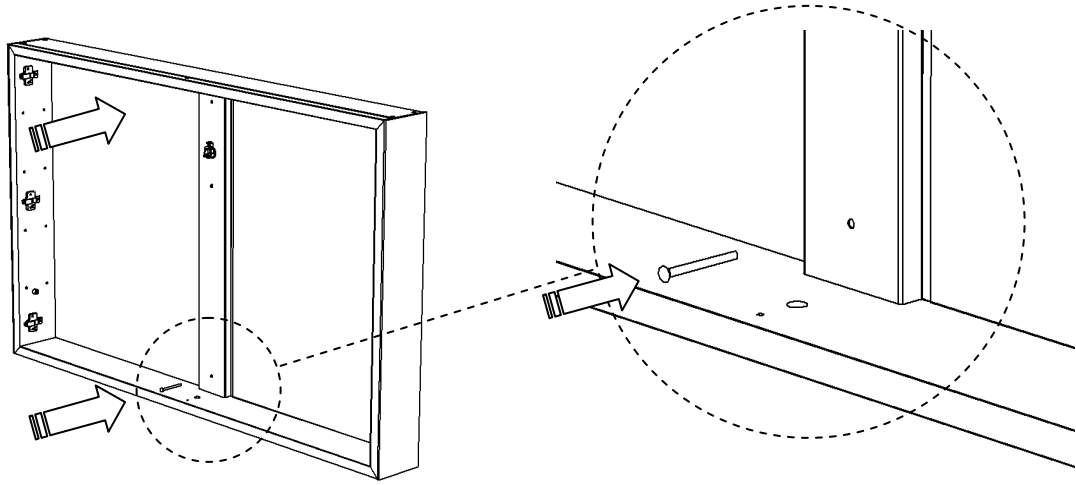
7. Feed electrical wire through access holes located in the center and back of cabinet.



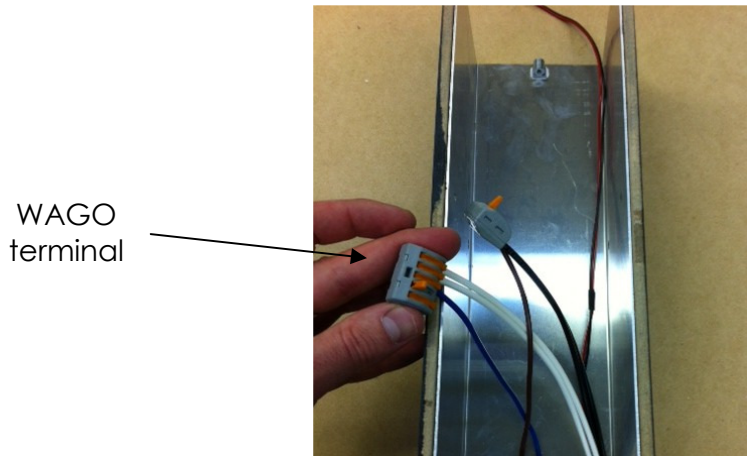
8. Carefully lift the cabinet and mount onto the Monarch mounting clips.



9. Fasten down the cabinet to the wall by adding security tie-down, 3" long #10 wood screw at wall post. Do not over tighten as this may damage the backing (within console).



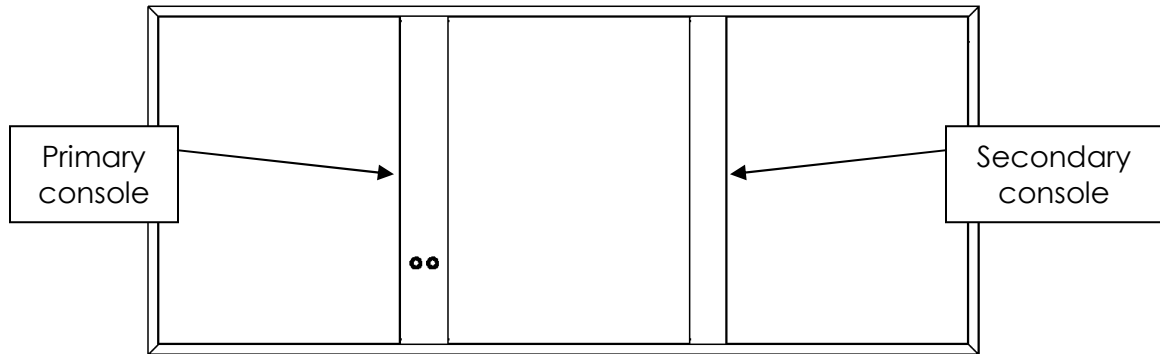
10. Secure electrical wire with cable connector.
11. Bond the entire electrical system at the indicated location with supplied hardware. (depicted at step 11)
12. Make connections with WAGO terminal blocks (insert positive and negative leads to respectful terminal blocks as per electrical diagram with white to white, black to black)



13. Carefully replace console, making sure not to crimp or pinch wires and connections.

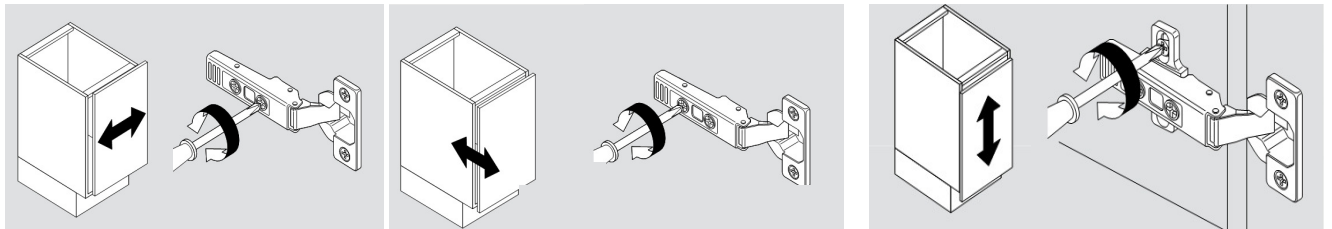
14. Fasten wooden console by replacing access screws at top and bottom of the cabinet.

**NOTE:** 60'' & 72'' Cabinets - Electrical Outlet on secondary Wooden Console (60'' & 72'' Cabinets) - Apply steps 9 to 18.



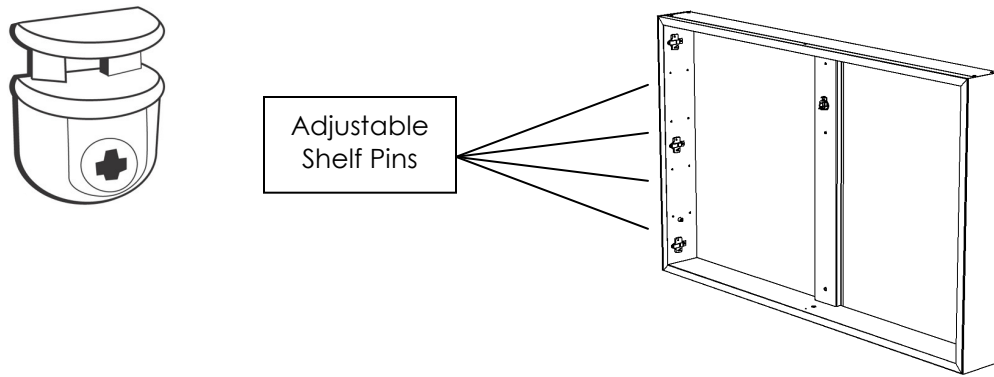
### **FINAL ASSEMBLY**

15. Mount doors onto hinge plates.
16. Doors may be adjusted with hinge adjustment features.

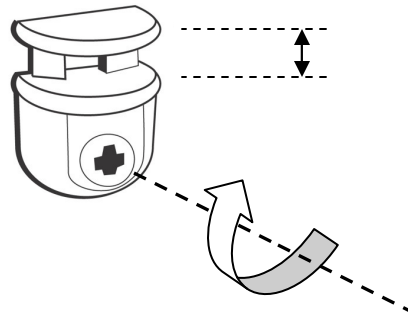


17. Connect defogger cord into the outlet connector. Push in and turn counter-clockwise to lock. (as per step 3)
18. Turn on power.
19. Test electrical options by activating electrical switches on consoles.
20. Defogger option: Left hand switch
21. LED lighting option: Right hand switch

22. Insert Adjustable shelf pins to wooden console and aluminum sidings.



23. Insert glass shelves within adjustable shelf pins and secure into place on upper 3 sets of holes.



**CAUTION:** Maximum load 30 LBS

**NOTE:** Be sure to turn the defogger off when not in use. When the defogger is on, the center area of the mirror will remain fog-free. If the defogger does not function, please verify if defogger connectors are properly inserted.

## **CLEANING GUIDE**

WETSTYLE FRAME LINEA FURNITURE is made from Oak or Walnut.

WETSTYLE Furniture is ultra-easy to clean: after use, simply wipe with a soft cloth to remove any surface dirt. For standard cleaning, we recommend using warm water with mild soap. Do not use abrasive products or cream cleaners. Never use petroleum-based products when cleaning the wood, i.e. paint thinners or other solvents, as they may damage the wood surface. Glass surfaces may be cleaned using standard glass cleaning products.

## **WARRANTY**

The warranty on WETSTYLE products covers all defects in materials and manufacturing for a period of one year from the date on which the owner originally purchased the product directly from WETSTYLE or from an authorized retailer. This warranty is valid for the original owner only. This warranty does not apply to cases in which a product was incorrectly installed, or to damage due to negligence, misuse, cigarettes, flames, natural disasters or other accidents.

WETSTYLE is not responsible for any fees or recovery charges that may have been generated by the purchase of a product that is not adequate for an existing building structure.

At the discretion of the manufacturer, the guarantee is limited to the repair or replacement (of a product of equal or greater value) at the condition that the claim is made during the guarantee period to an authorized dealer or directly to WETSTYLE. The handling fees and all other charges related to the product replacement are not covered by the guarantee.

Printed in Canada



[www.WETSTYLE.CA](http://www.WETSTYLE.CA) – Montreal – Canada  
Tel. 450.536.9000 – 1.888.536.9001 – Fax. 450.536.0202