

WATERMARK

BROOKLYN, NEW YORK



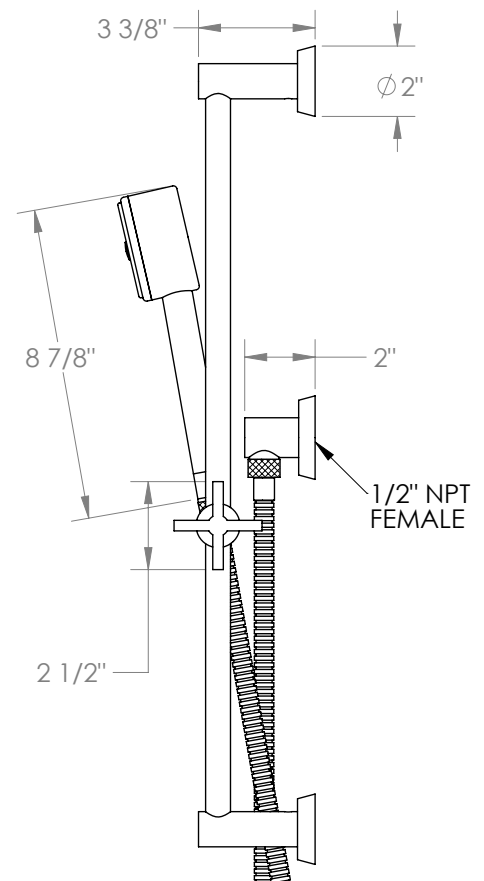
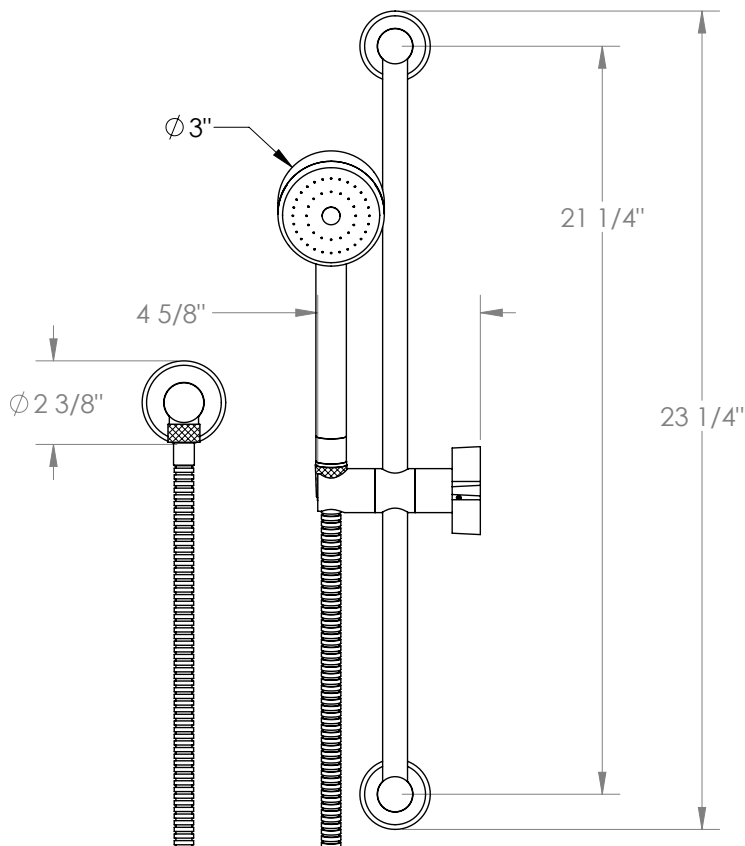
Blue 37-HSPB2-BL3 Positioning Bar Shower Kit with Hand Shower

- Handshower Flow Rate: 1.75 GPM
- Slide bar features an adjustable shower holder that can be set along length of bar and can be set at angle up to 45°
- Hose Length: 69"
- Includes two backflow preventers- one in the hand shower and one in the wall elbow

Includes The Following Components:

- Shower Positioning Bar: 37-6524
- Hand Shower: SH-LFT30
- Wall Elbow: ELB-BL2
- Shower Hose: DS-4079

Available in all finishes shown on the [Watermark Designs website](https://www.watermark-designs.com)



Meets the applicable requirements of ASME A112.18.1-2005/CSA B125.1-05, entitled "Plumbing Supply Fittings".

Watermark Designs reserves the right to make revisions without notice to produce specifications. All product dimensions are nominal.

04/2022