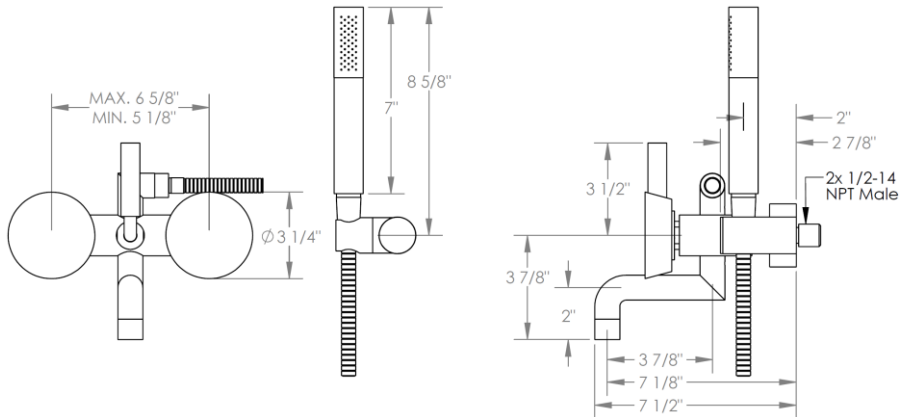


**36-5.2-**

Wall Mounted Exposed Bath Set with Hand Shower

Hand Shower Flow Rate: 1.75 GPM

Note: Some building codes require remote pressure balance valves for anti-scald



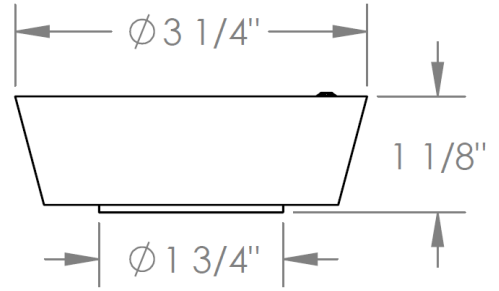
Meets the applicable requirements of ASME A112.18.1-2005/CSA B125.1-05, entitled "Plumbing Supply Fittings"

**WATERMARK** DESIGNS

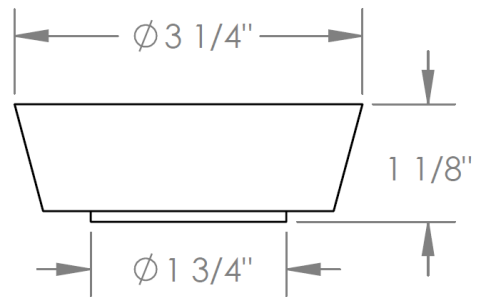
**4/17/2019**

# HANDLE TRIM OPTIONS

## BL1 – METAL



## CM – STONE



## WM - ROCK

