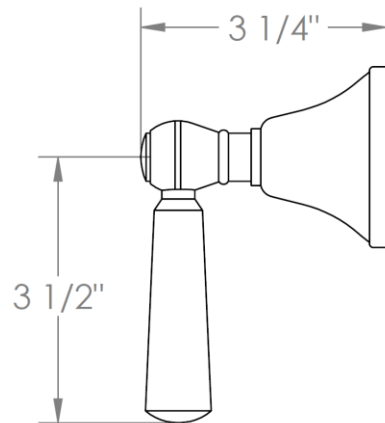
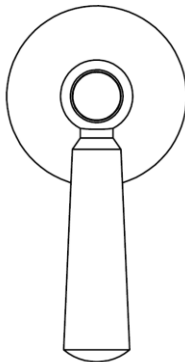
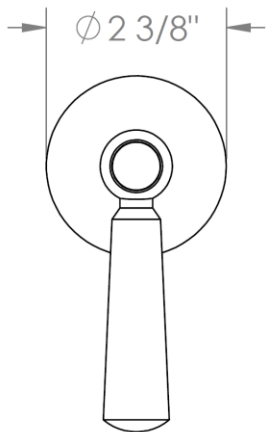


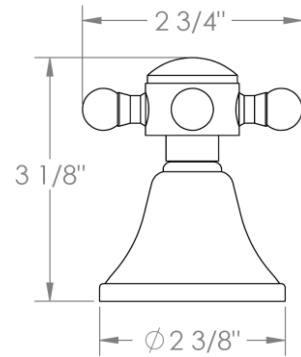
**313-WTR2-\_\_**

Wall Mounted 2-Valve Shower Trim  
Includes Alignment Kit  
Requires SS-506 concealed rough

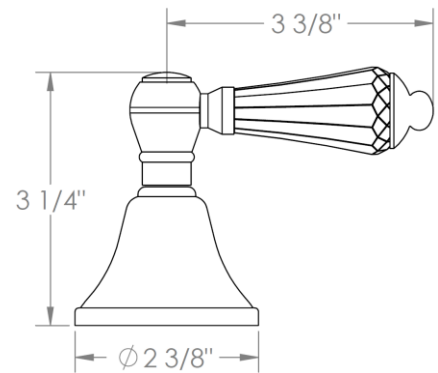


**HANDLE TRIM OPTIONS**

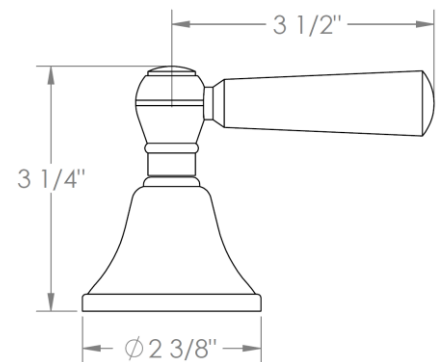
**AX – LOS ANGELES**



**SW – SAN FRANCISCO**



**WW – BOSTON**



**Y2 – WILLIAMS**

