

WATERMARK

BROOKLYN, NEW YORK

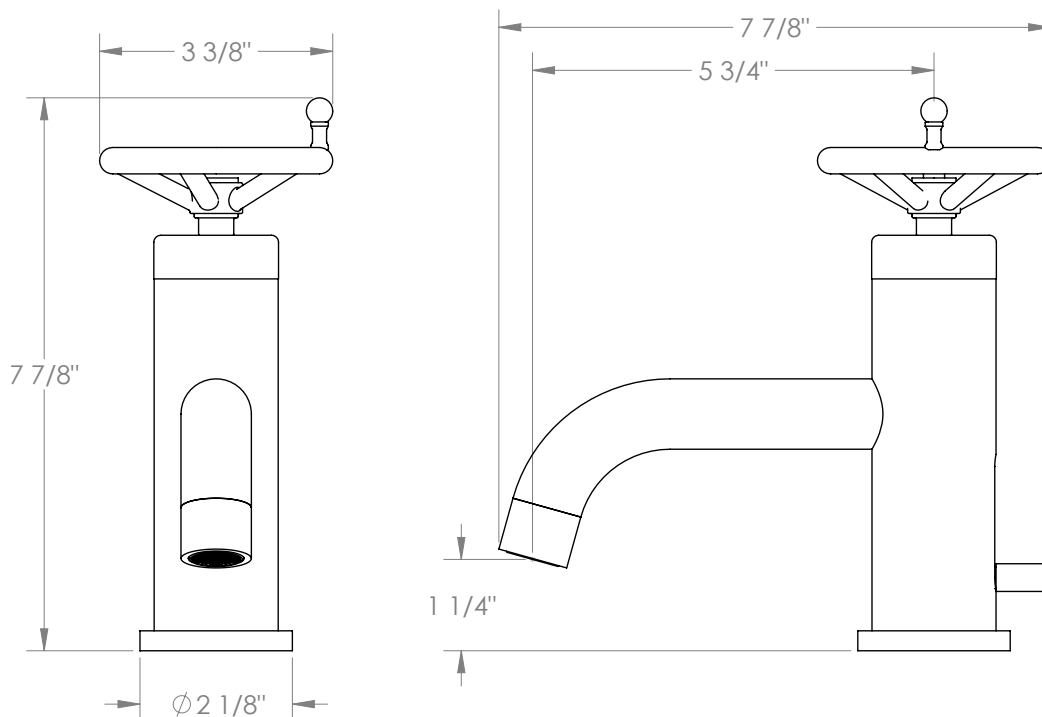
Brooklyn 31-1.15-BKA1

Deck Mounted Monoblock Lavatory Mixer



- Flow Rate: 1.2 PGM
- Includes MPU7 Pop-Up Drain
- Recommended Hole Size: 1-3/8"
- Maximum Deck Thickness: 1-1/2"
- Ceramic Mixing Cartridge
- All Lead-Free Brass Construction
- Professional Installation Required

Available in all finishes shown on the [Watermark Designs website](#)



Meets the applicable requirements of ASME A112.18.1-2005/CSA B125.1-05, entitled "Plumbing Supply Fittings".

Watermark Designs reserves the right to make revisions without notice to produce specifications. All product dimensions are nominal.

06/2022

350 Dewitt Ave. Brooklyn, NY 11207 USA | T: 1 718 257 2800 | F: 1 718 257 2144 | customerservice@watermark-designs.com