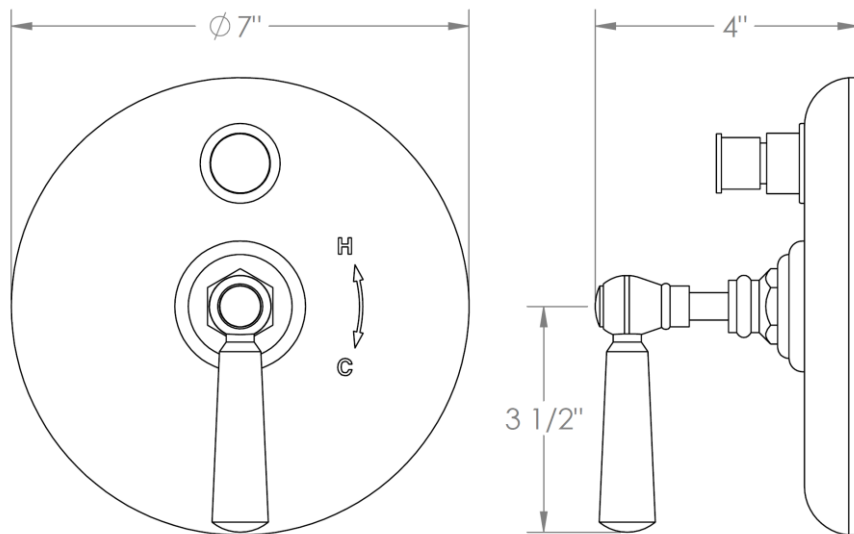
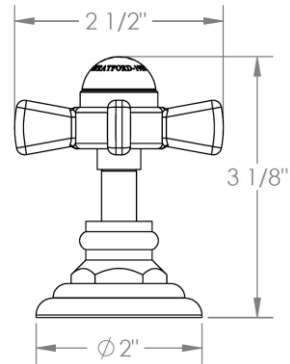


206-P90-__
Trim Kit for Pressure Balance Valve with Diverter
For use with SS-PB85 concealed rough

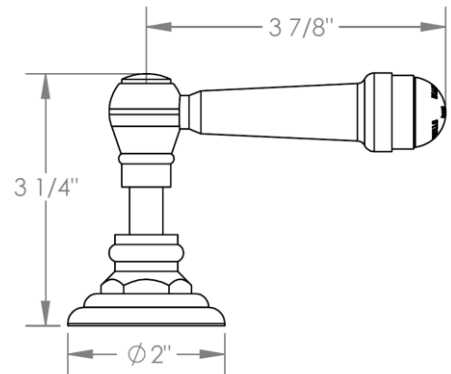


ADDITIONAL HANDLE OPTIONS

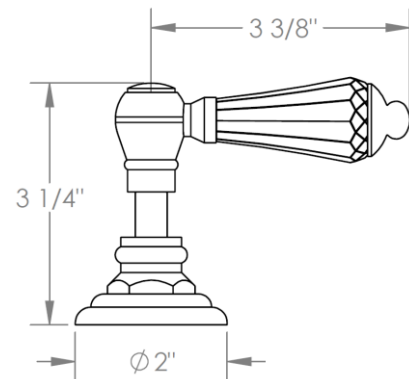
S1 - PRESTON



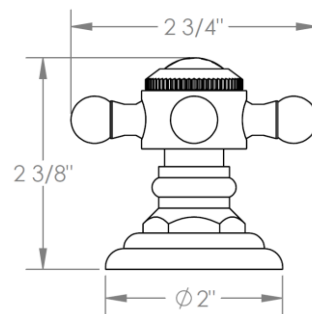
S2 - WALTHAM



SWA - DARIEN



V - WALES



S1A – NOTTINGHAM

