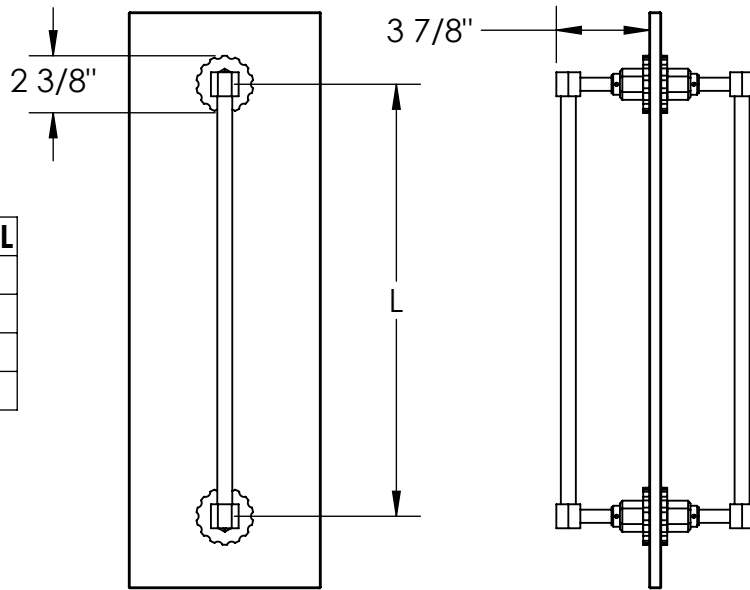
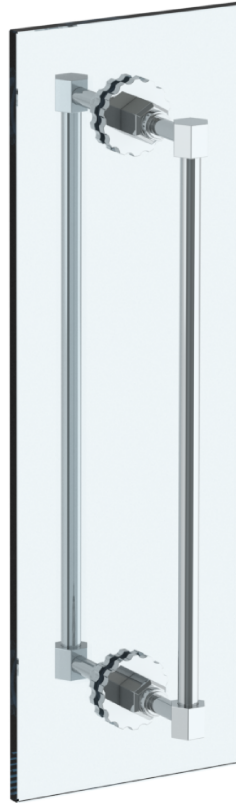


133-0.1-DDP

Glass Mounted Double Door Pull

For use with 1/2" thick glass with $\phi 1/2"$ holes



| Model No. | Dimension of L |
|---------------|----------------|
| 133-0.1-6DDP | 6" |
| 133-0.1-12DDP | 12" |
| 133-0.1-18DDP | 18" |
| 133-0.1A-DDP | 24" |

Meets the applicable requirements of ASME A112.18.1-2005/CSA B125.1-05, entitled "Plumbing Supply Fittings"

WATERMARK DESIGNS 7/7/2020

350 Dewitt Ave Brooklyn NY 11207 USA T 718 257 2800 F 718 257 2144 info@watermark-designs.com