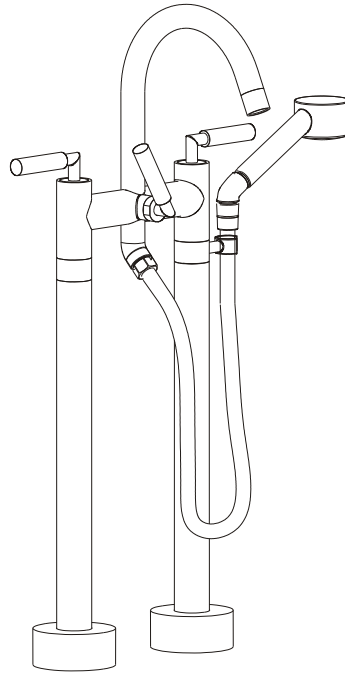


WATERMARK

MADE IN BROOKLYN, NEW YORK

INSTALLATION INSTRUCTIONS



Floor mounted bath/shower mixer

22-8.3, 30-8.3 & 27-8.3

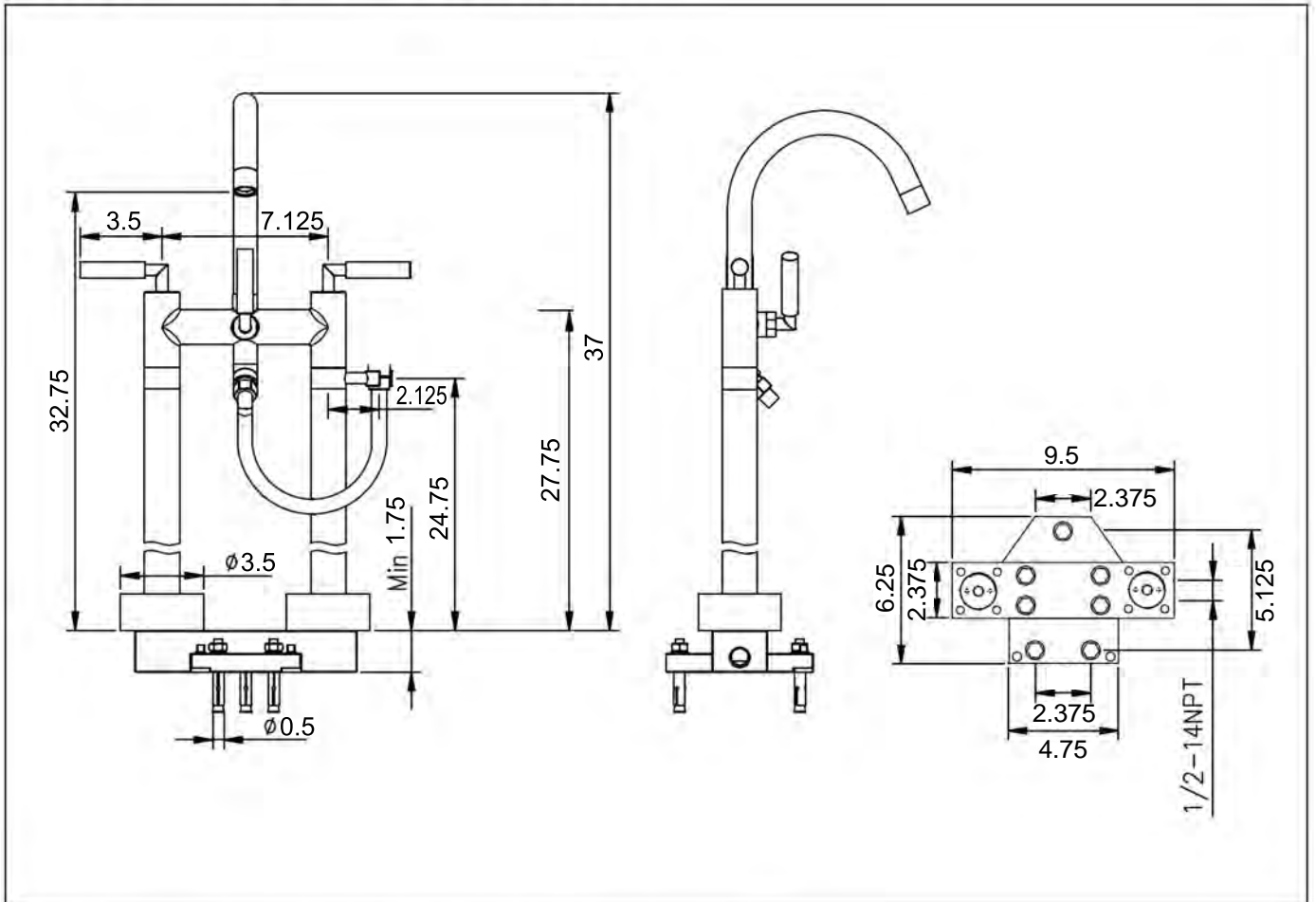


ASME A1 12.18.1

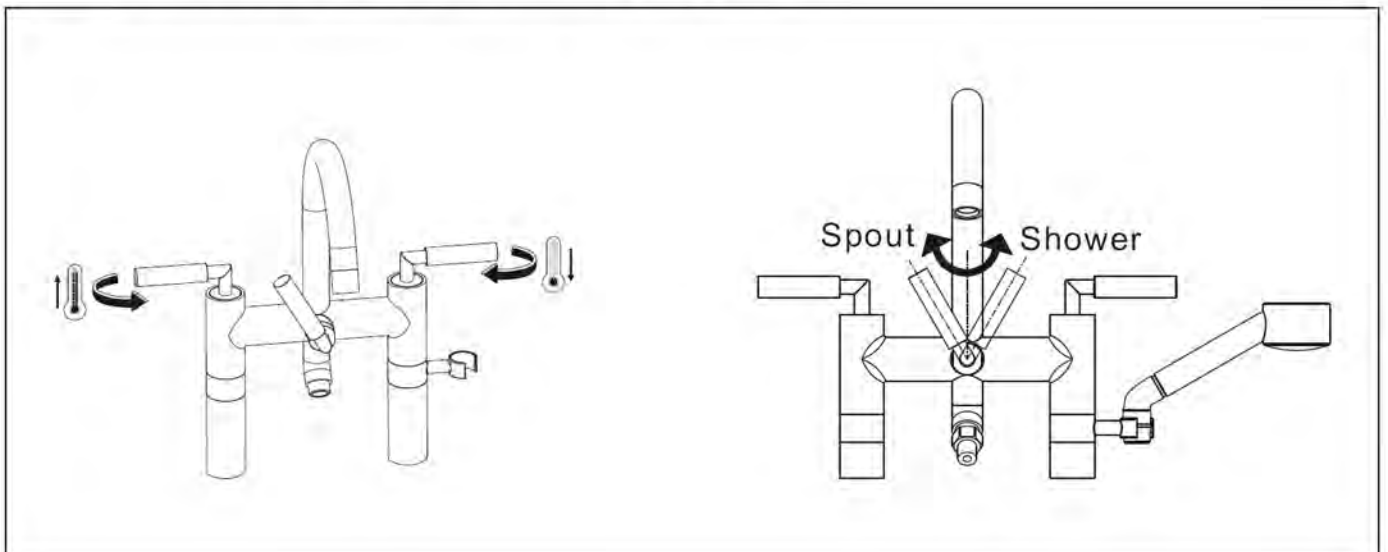
NSF61

CAS B125.1

ROUGH-IN DIMENSIONS

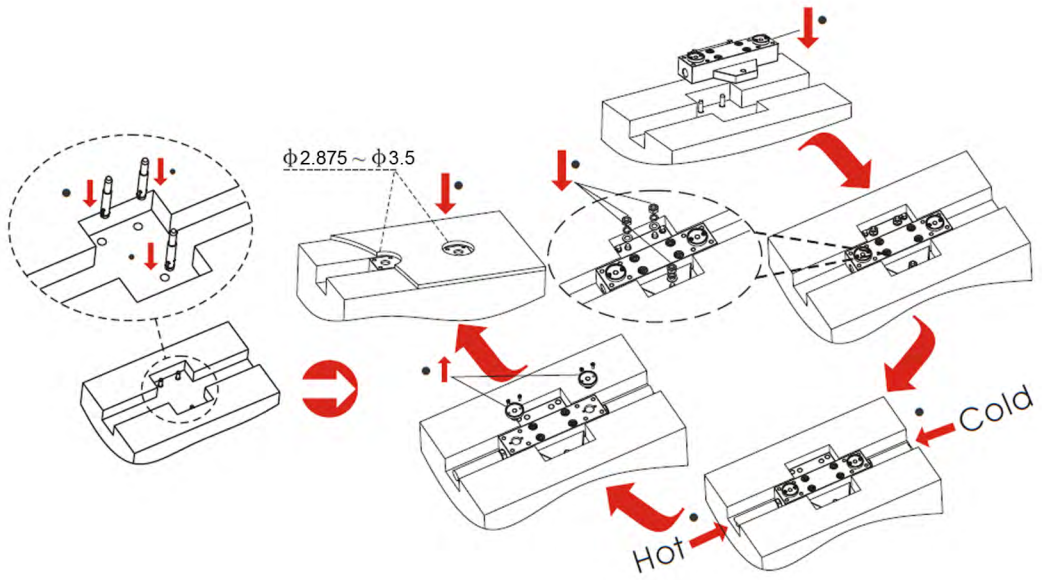


OPERATION INSTRUCTIONS



INSTALLATION

1



2

