

FEATURES

- Tornado Flush™ system, high efficiency (1.28GPF/4.8LPF)
- CeFiONtect™ ceramic glaze prevents debris, and mold from sticking to ceramic surfaces, leading to fewer chemicals and less water in cleaning.
- Universal Height
- Decorative two-piece design with high-profile tank
- Round front bowl and tank set, seat sold separately
- Chrome trip lever
- 12" Rough-in, less supply
- ADA compliant for residential or hospitality use

MODELS

- CST453CEFG
With CeFiONtect ceramic glaze (#01)
- CST453CEFRG
With right-hand trip lever, CeFiONtect ceramic glaze

COMPONENTS

- C453CUFG Round front bowl with CeFiONtect
- ST454E Tank and cover only
- ST454ER Tank and cover only, right-hand trip lever
- SS113 SoftClose® seat (sold separately)

COLORS/FINISHES

- Standard
#01 Cotton

PRODUCT SPECIFICATION

The Two-piece low consumption Tornado Flush system toilet shall be 1.28GPF/4.8LPF. Toilet shall have optional CeFiONtect ceramic glaze and be at Universal Height. Toilet shall have high-profile tank, round front bowl and Chrome trip lever. Toilet shall be TOTO Model CST453CEF ____.



CODES/STANDARDS

- Meets and exceeds ASME A112.19.2/CSA B45.1
- Certifications: IAPMO(cUPC), EPA Watersense, State of Massachusetts, City of Los Angeles, and others
- Code compliance: UPC, IPC, NSPC, NPC Canada, and others
- Legislative Compliance: California AB715, California Green Building Code, City of Los Angeles Water Efficiency Ordinance
- BAA Buy American Act Compliant
- ADA compliant (when installed with trip lever located on the approach side)



CALGreen

CST453CEF(R)G

Drake® II Two-Piece Toilet, 1.28GPF

SPECIFICATIONS

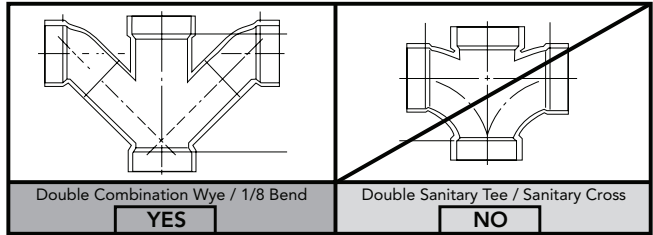
- Water Use 1.28GPF/4.8LPF
- Flush System Tornado Flush™
- Min. Water Pressure 8 psi (static)
- Water Surface 6-7/8" x 8-7/8"
- Trap Diameter 2-1/8"
- Rough-in 12"
- Trap Seal 2-1/8"
- Warranty One Year Limited Warranty
- Material Vitreous china
- Shipping Weight C453CUFG 59.0lbs.
ST454E(R) 31.5lbs.
- Shipping Dimensions C453CUFG
27-1/2" L X 15-1/2" W1 X
11-1/4" W2 X 17-1/2" H

ST454E(R)
18" L X 9" W X 16" H

INSTALLATION NOTES

Back-to-Back Toilet Installations:

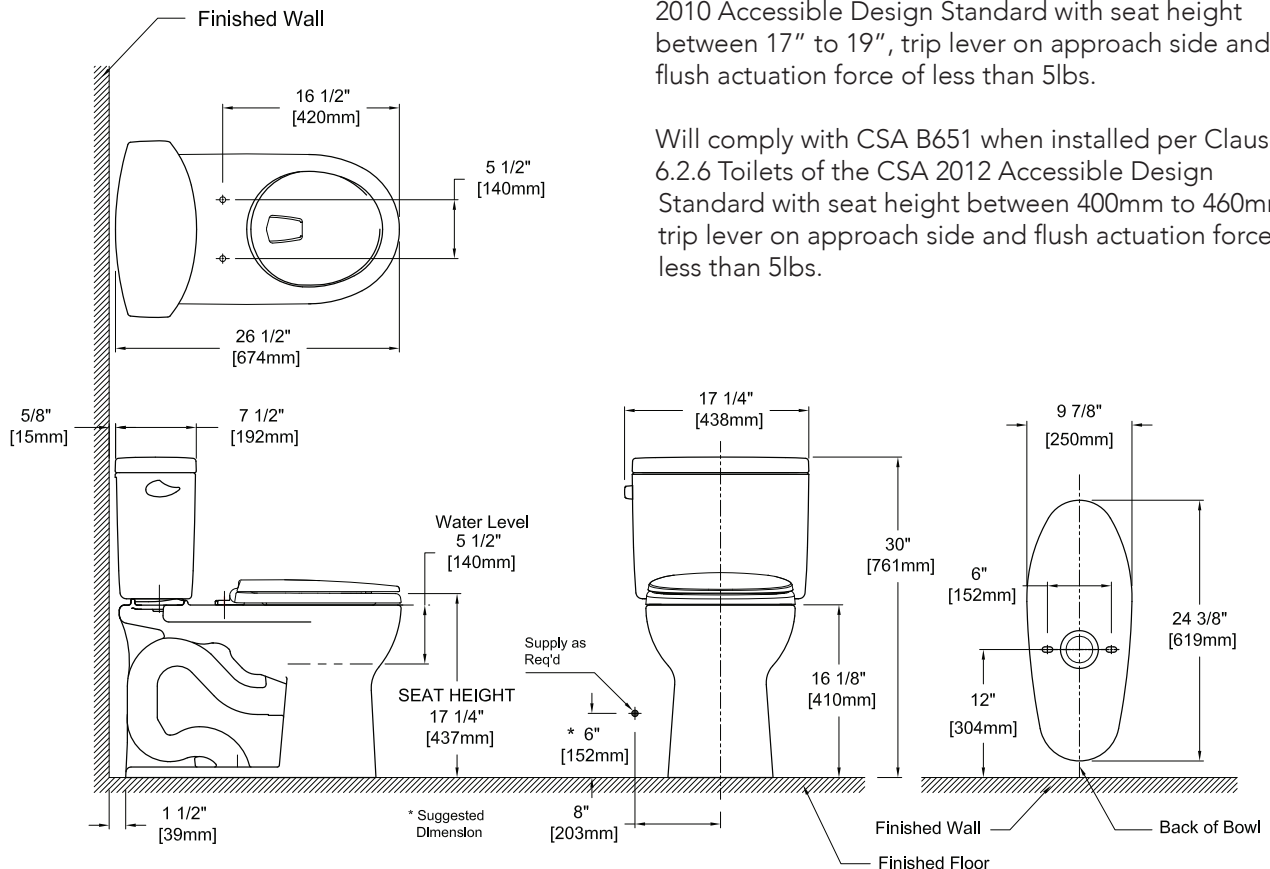
TOTO recommends the use of a nationally listed, double sanitary tee-wye only, in vertical waste stacks, in accordance with the stipulations noted in the majority of nationally recognized plumbing codes.



To maintain adequate wall gap between the back of the tank and wall, mount the floor flange at a nominal 12" rough-in distance.

Will comply with ADA when installed per Section 604 Water Closets and Toilet Compartments of the ADA 2010 Accessible Design Standard with seat height between 17" to 19", trip lever on approach side and flush actuation force of less than 5lbs.

Will comply with CSA B651 when installed per Clause 6.2.6 Toilets of the CSA 2012 Accessible Design Standard with seat height between 400mm to 460mm, trip lever on approach side and flush actuation force of less than 5lbs.



TOTO

These dimensions and specifications are subject to change without notice