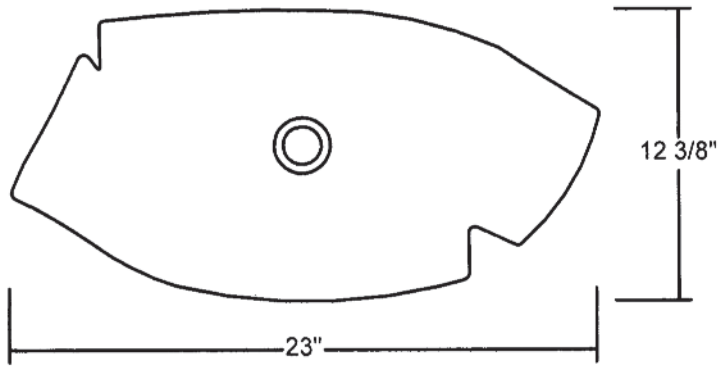


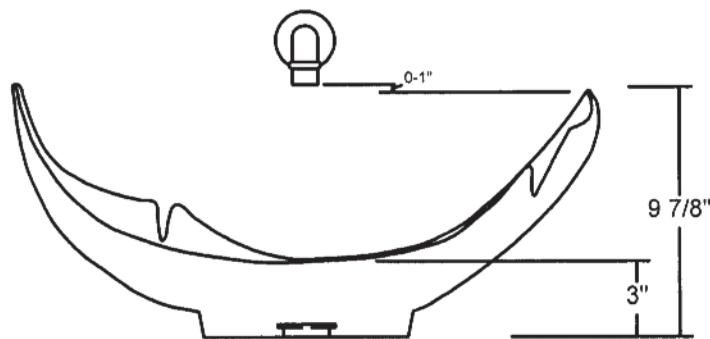
# CP-17 BRONZE LUNETTE

©2010 STONE FOREST, INC.

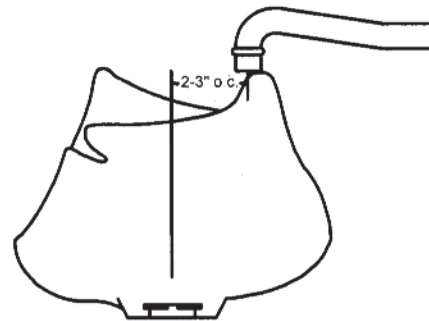


TOP VIEW

- Designed by Santa Fe Artist David Hoptman
- Sand Cast Bronze
- Finishes:
  - Golden Bronze (GB)
  - Weathered Bronze (WB)
- Required drain use 9054D Grid Drain. This can be supplied by Stone Forest at your request in matching finishes.
- Do not use pop-up drains.
- Stone Forest bronze sinks are hand patinated. Expect variations in finish. Please refer to bronze care and maintenance in back of binder.
- Approx 25lbs.



FRONT VIEW



SIDE VIEW