

CODE NUMBER

10001201T

DESCRIPTION

Carbon Offset, SU-1009 Urinal and SOLIS 8186 Flushometer.

COMPONENTS

- Flushometer: Code 3370010
- Urinal: Code 1101009

DETAILS

- Flush Volume: 0.125 gpf (0.5 Lpf)
- Nominal Dimensions: 14 ¼" x 17 ¼" x 25 ½" (362 x 438 x 648mm)

FIXTURE FEATURES

- White Vitreous China
- Washdown flushing action
- Integral flushing rim
- ¾" I.P.S. top spud inlet
- 2" NPT outlet flange
- Vandal resistant strainer assembly included
- All mounting hardware included
- 100% factory flush tested



COMPLIANCES & CERTIFICATIONS



(ADA Compliant, BAA Compliant, BREEAM Materials Credit, BREEAM Water Credit, CalGreen Compliant, Carbon Neutral, CEC Compliant, cUPC Green Certified, EPD, Green Globes Materials & Resources Credit, Green Globes Water Credit, HPD, LEED Materials & Resources EPD Credit, LEED Materials & Resources HPD Credit, LEED V4 Water Efficiency Credit, Satisfies LEED Credits, WaterSense Listed)

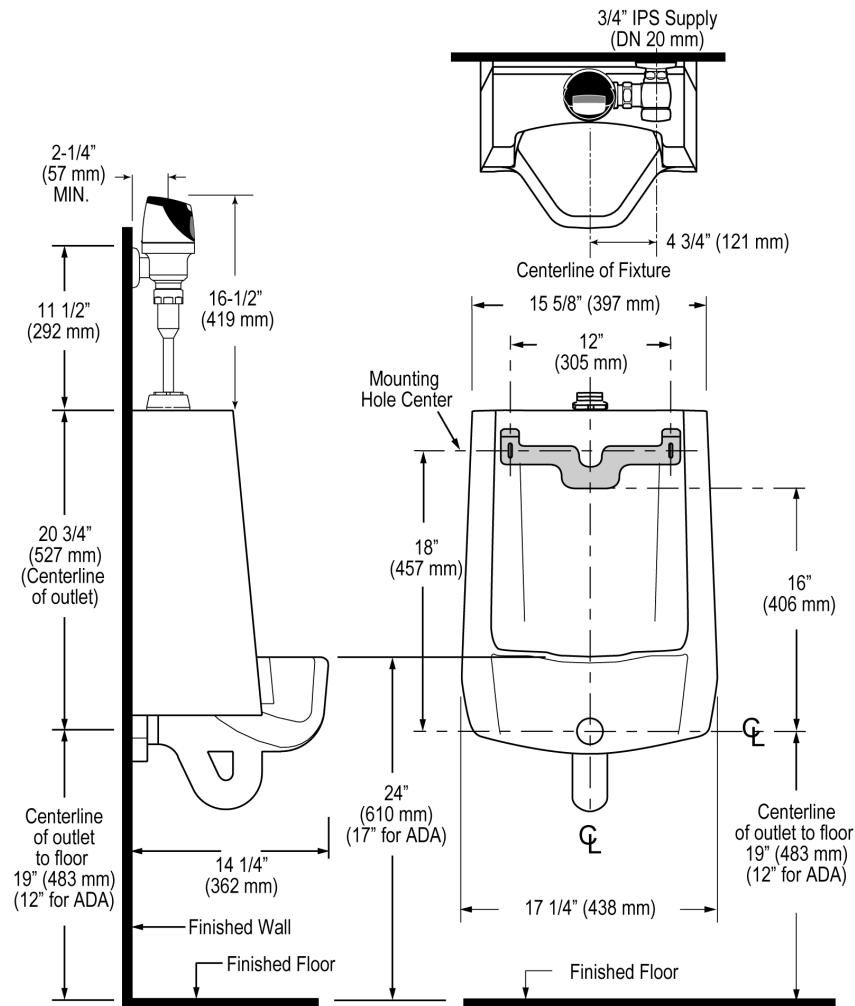
DOWNLOADS

- [Standard Spud Urinal Installation Instructions](#)
- [SS/ST/SU/WETS/WEUS Fixtures Repair and Maintenance Guide](#)
- [Additional Downloads](#)

NOTES

All information contained within this document subject to change without notice.

ROUGH-IN



Sloan 10500 Seymour Ave, Franklin Park, IL 60131
Phone: 800.982.5839 • Fax: 800.447.8329 • sloan.com