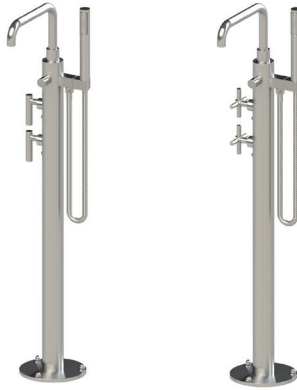
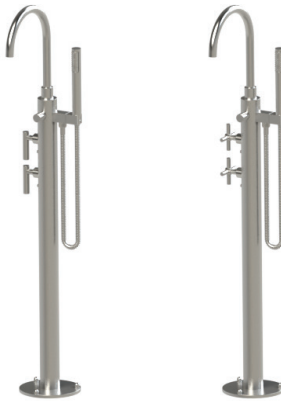


ASSEMBLY INSTRUCTION**3GGNL or C**

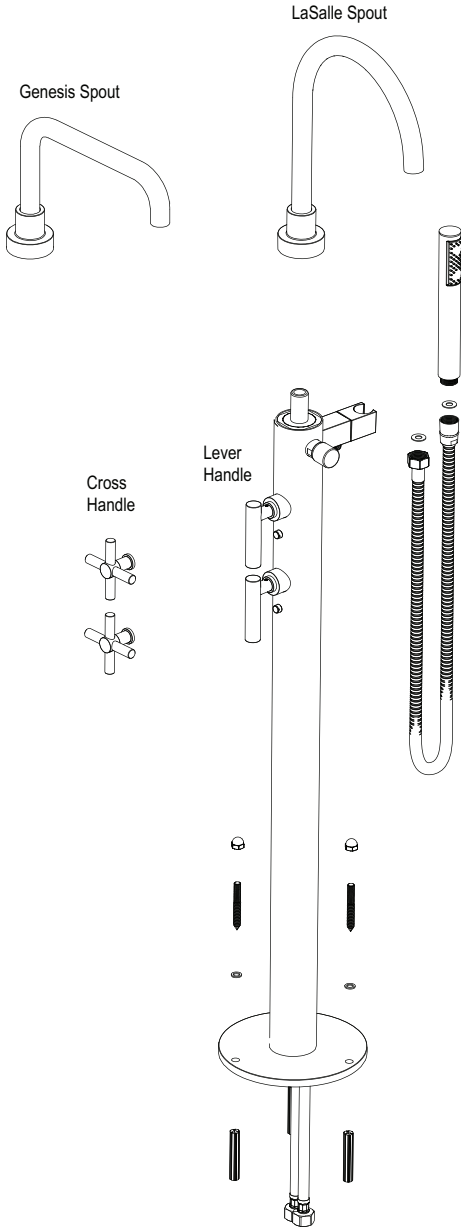
FLOOR MOUNT TUB FILLER WITH HAND HELD SHOWER

**3GGNL or C****3GGLL or C****REMOVAL OF FAUCET:**

Always turn the water supply off before removing the existing faucet or disassembling a valve. Open both faucet handles to relieve water pressure and to ensure that the water has been successfully turned off.

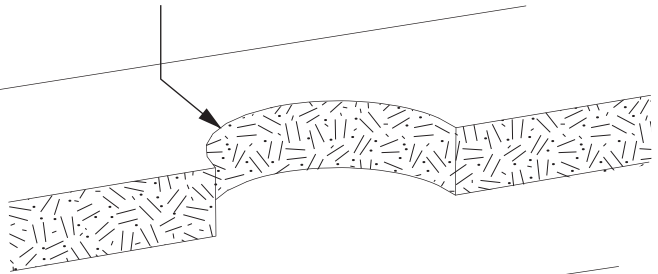
CARE OF FAUCET:

The use of warm water and a soft cloth is all that is required to clean Rubinet products. The patina of our living finishes (Oil Rubbed Bronze & Tuscan Brass) will change as a result of normal use. Applying Mineral Oil on occasion will create a softer look, subtle color changes and character.

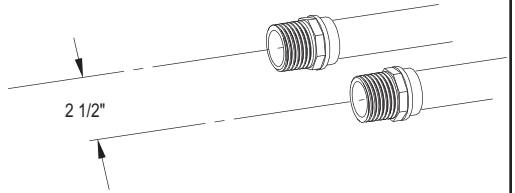


1

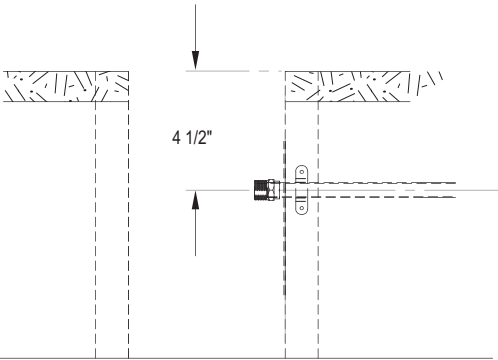
Ø 4 1/2" HOLE



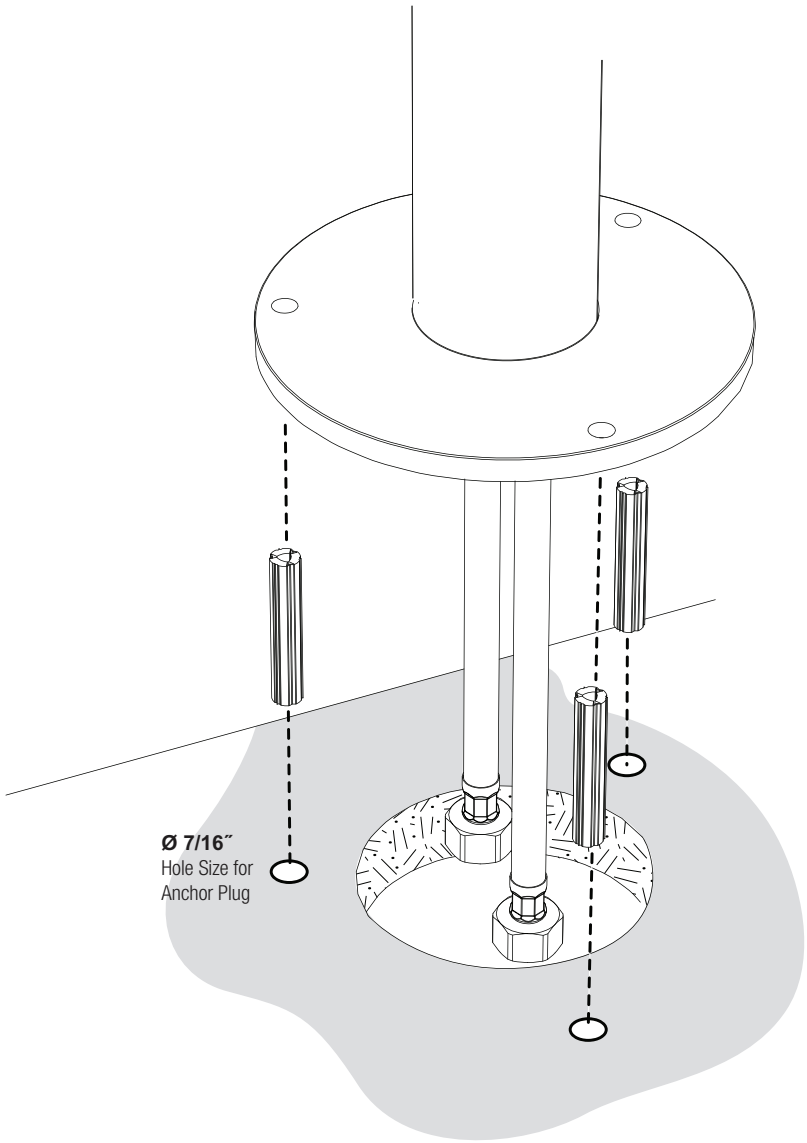
2 1/2"



SUPPLY PIPES WITH
1/2" MALE PIPE ADAPTORS

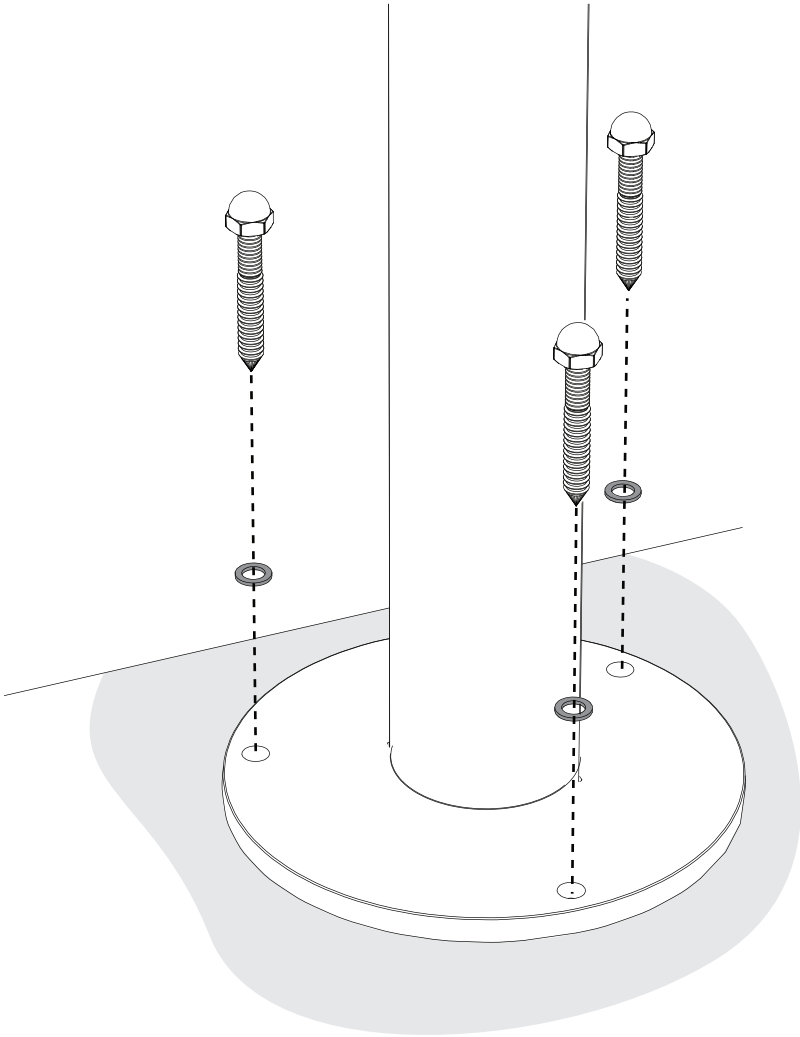


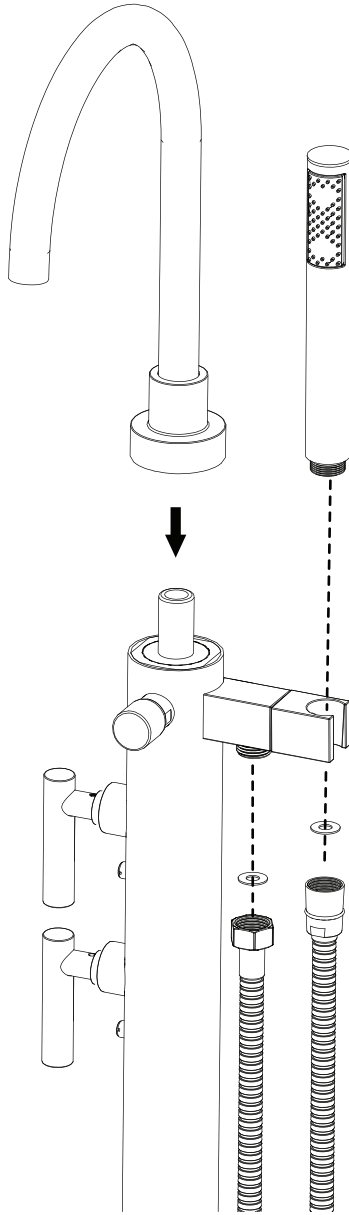
2



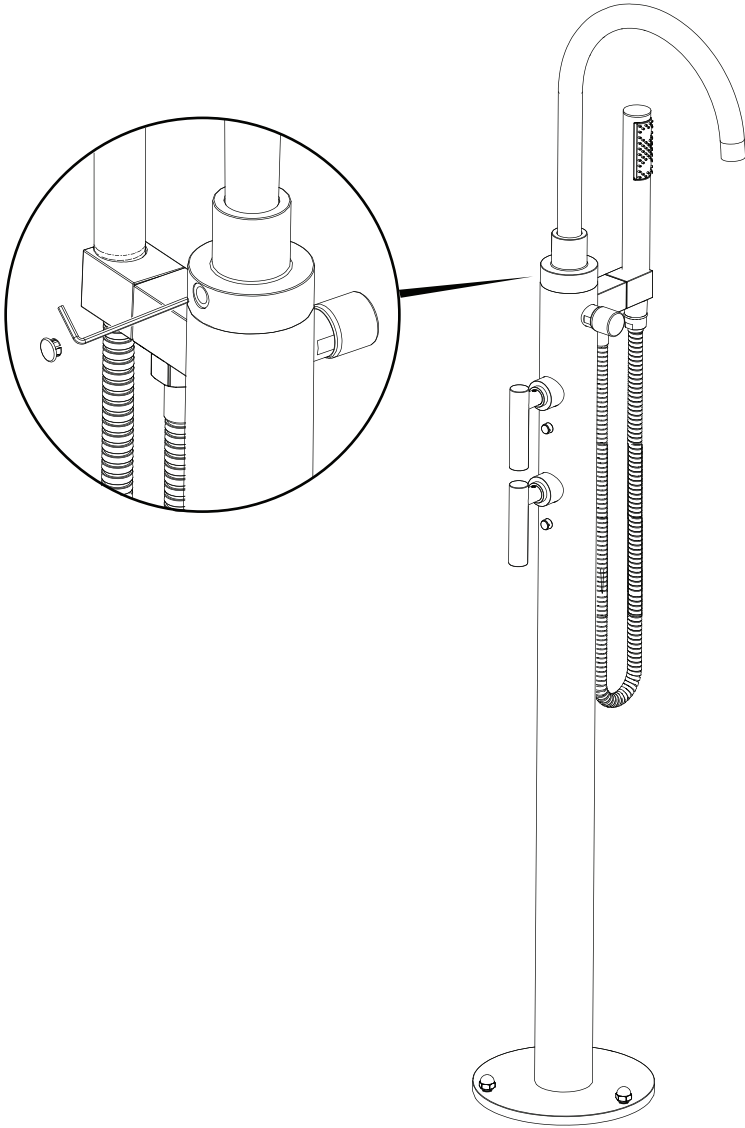
* Connect the supply hose with the BLUE dot to the COLD water pipe.
Connect the supply hose with the RED dot to the HOT water pipe.

3





5



* Place the index cap after tightening the set screw.

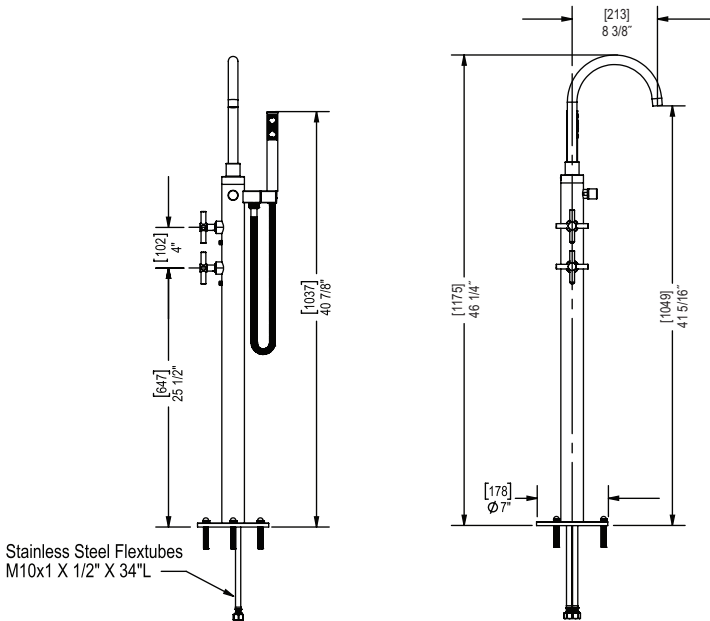
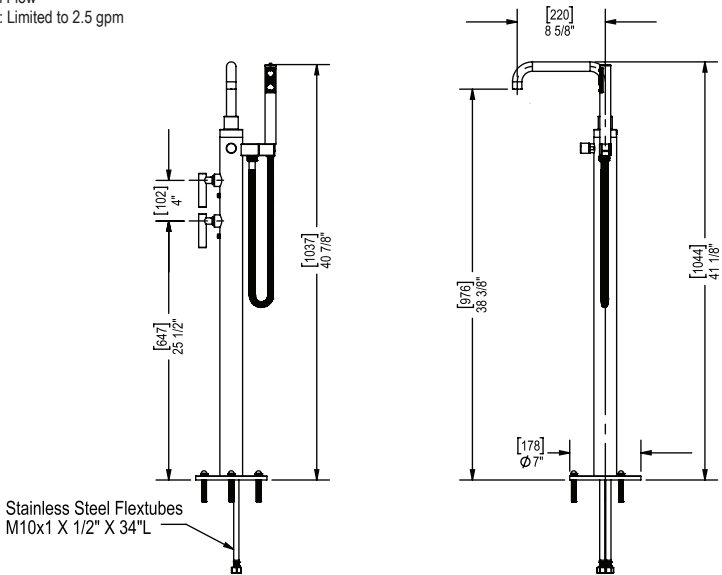
FEATURES:

Features

- Brass construction with choice of 21 finishes
- Quarter Turn Ceramic Disk Cartridges
- Flow Rate:

Tub Filler: Full Flow

Hand Shower: Limited to 2.5 gpm



CONTACT US:

If you need assistance with installation, replacement parts or have any questions regarding your Rubinet product, please call a Customer Service representative at: 905-851-6781 toll free 1-800-461-5901 or visit www.rubinet.com