

# SPECIFICATIONS

## DESCRIPTION

- Supplied as 5 Boxed
- Manufactured in the UK
- Supplied with M4x45 Panhead Cabinet Screw
- Compliments Perrin and Rowe Tap Styling

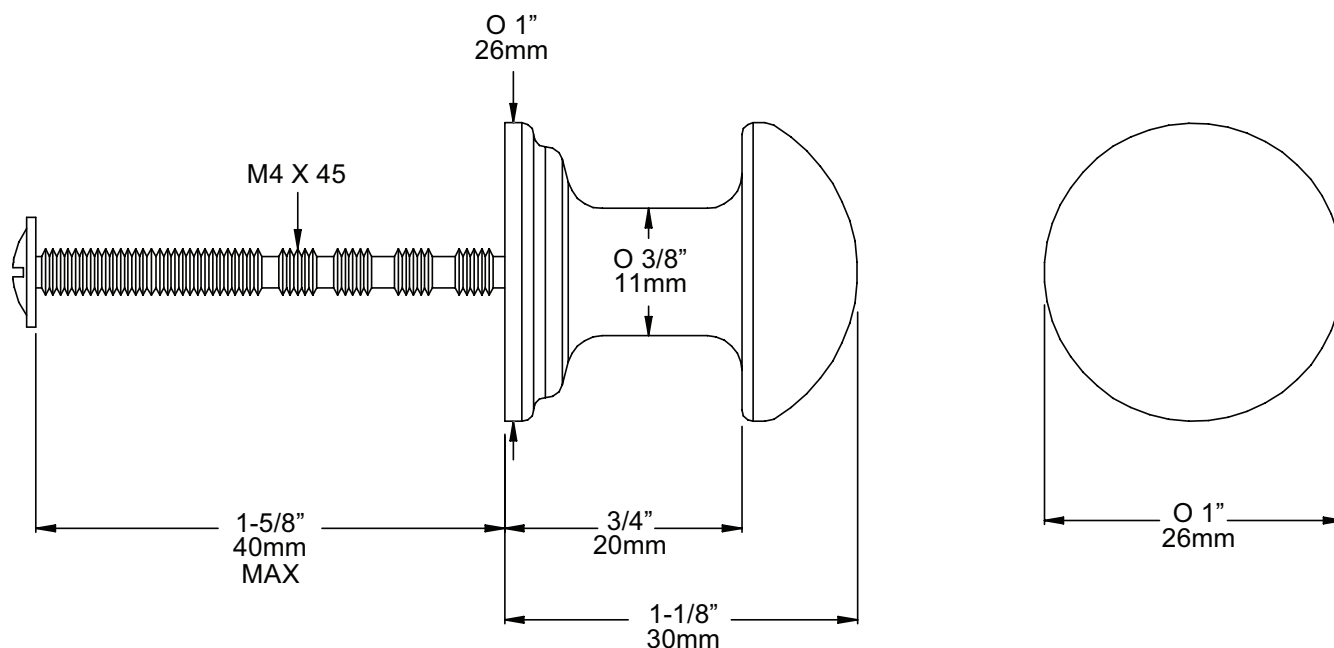
## WARRANTY

- Consult your local House of Rohl showroom for additional information and specifications. For complete warranty details and a list of showrooms, go to [houseofrohl.com](http://houseofrohl.com)



## Small Button Drawer Handle

**MODEL:** U.6581



For warranty or additional information, contact:

US Customers

U.S.A.  
[houseofrohl.com/support](http://houseofrohl.com/support)  
1-800-777-9762

QUEBEC / MARITIMES / WESTERN CANADA  
[houseofrohl.ca/support](http://houseofrohl.ca/support)  
1-866-473-8442

Canadian Customers

ONTARIO  
[houseofrohl.ca/support](http://houseofrohl.ca/support)  
1-800-287-5354