

# SPECIFICATIONS

## DESCRIPTION

- Combines both thermostatic and pressure balance technologies
- “Set it and forget it” temperature control
- Temperature and volume control with diverter
- 2 dedicated functions and 1 shared function
- Rough-in valve sold separately:
  - Order R23 therm & pressure balance rough-in valve
  - 1-1/4” R23 extension kit available, order EXT23KIT114
  - 3/4” R23 extension kit available, order EXT23KIT34

## CARTRIDGE

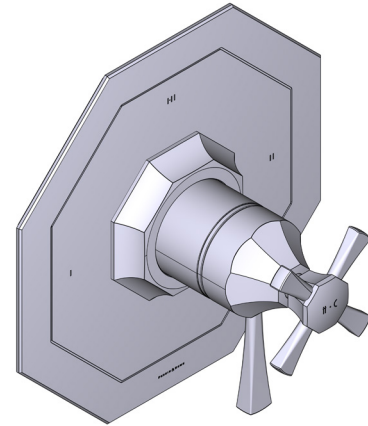
- 0-925 (Included)

## STANDARDS

- ASME A112.18.1

## WARRANTY

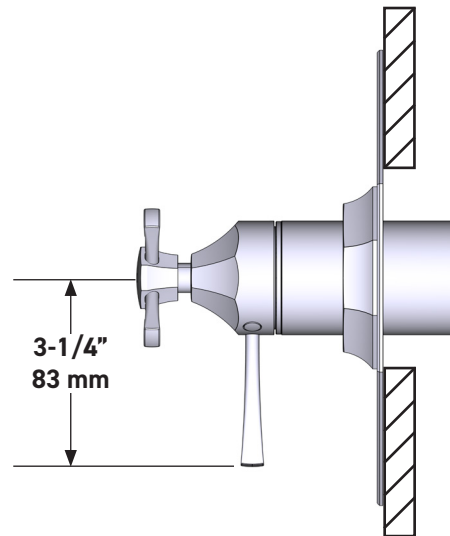
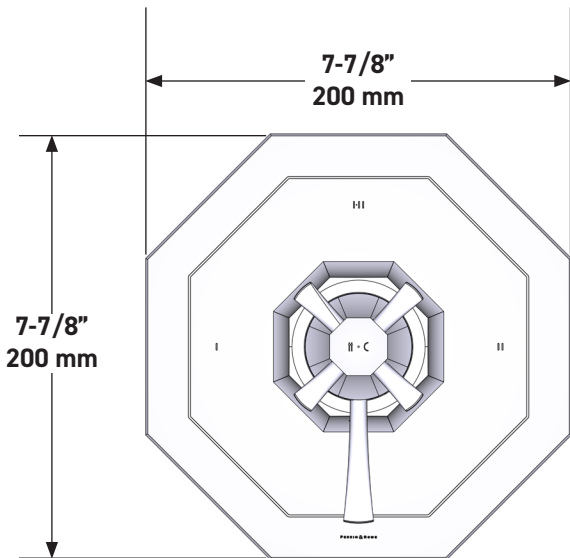
- Most products or parts carry “Limited Warranties” against manufacturing defects. For US customers please visit [houseofrohl.com/support](http://houseofrohl.com/support) and for Canadian customers please visit [houseofrohl.ca/support](http://houseofrohl.ca/support) for complete product and finish warranty.



## Deco™ 1/2” Therm & Pressure Balance Trim with 3 Functions (Shared)

**CORE MODEL:** U.TDC23W1

UPC®



For warranty or additional information, contact:

US Customers

U.S.A.  
[houseofrohl.com/support](http://houseofrohl.com/support)  
1-800-777-9762

QUEBEC / MARITIMES / WESTERN CANADA  
QUÉBEC / MARITIMES / OUEST CANADIEN  
QUEBEC / MARITIMOS / CANADA OCCIDENTAL  
[houseofrohl.ca/support](http://houseofrohl.ca/support)  
1-866-473-8442

Canadian Customers

ONTARIO  
[houseofrohl.ca/support](http://houseofrohl.ca/support)  
1-800-287-5354

Riobel

PERRIN & ROWE®  
L O N D O N



victoria ⊕ albert®

ROHL

# SPÉCIFICATIONS

**DESCRIPTION**

- Description

**OPÉRATION**

- Operation

**DÉBITS DISPONIBLES**

- Flow

**CARTOUCHE**

- Cartridge

**CERTIFICATIONS**

- Standards

**GARANTIE**

- Warranty

**PRODUCT**

TITLE

**MODÈLES :** SKU

**REMARQUE:**

*Notes*

**For warranty or additional information, contact:**

**US Customers**

U.S.A.  
houseofrohl.com/support  
1-800-777-9762

**Canadian Customers**

QUEBEC / MARITIMES / WESTERN CANADA  
QUÉBEC / MARITIMES / OUEST CANADIEN  
QUEBEC / MARITIMOS / CANADA OCCIDENTAL  
houseofrohl.ca/support  
1-866-473-8442

ONTARIO  
houseofrohl.ca/support  
1-800-287-5354

**Riobel**

**PERRIN & ROWE**<sup>®</sup>  
L O N D O N



victoria ⊕ albert<sup>®</sup>

**ROHL**

# ESPECIFICACIONES

**DESCRIPCIÓN**

- Description

**OPERACIÓN**

- Operation

**FLUJO**

- Flow

**CARTUCHO**

- Cartridge

**ESTÁNDARES**

- Standards

**GARANTÍA**

- Warranty

**PRODUCT**

TITLE

**MODELOS:** SKU

**NOTA:**

**Notes**

**For warranty or additional information, contact:**

**US Customers**

U.S.A.  
houseofrohl.com/support  
1-800-777-9762

**Canadian Customers**

QUEBEC / MARITIMES / WESTERN CANADA  
QUÉBEC / MARITIMES / OUEST CANADIEN  
QUEBEC / MARITIMOS / CANADA OCCIDENTAL  
houseofrohl.ca/support  
1-866-473-8442

ONTARIO  
houseofrohl.ca/support  
1-800-287-5354

**Riobel**

**PERRIN & ROWE**<sup>®</sup>  
L O N D O N



victoria ⊕ albert<sup>®</sup>

**ROHL**