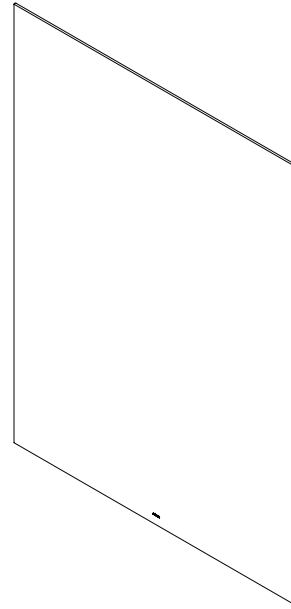


Features

- Front and side diffuser, no visible LED's
- Plug-in mirror, saves on install time
- All hardware with security bracket included
- Energy efficient LED lighting: (measurements may vary)

| | |
|---|---------|
| Kelvin | 2700 |
| CRI | 90+ |
| Lumens* (<i>Estimated</i>) | 2170 |
| R9 Value* | 50+ |
| Watt Output - LED with optional defogger on | 85w max |

* Mirror measured not the raw LED.
Based on 48" x 36" Mirror



Construction

- Anodized aluminum back frame
- Quality polished edge mirror
- Power cords installed for easy plugin installation
- Constructed for surface mounting
- Includes installation hardware

Codes/Standards Applicable

Vitality Mirror is UL certified to:

- UL 962
- CSA-C22.2, No. 250.4

Dimensions

Height: 40" (1016 mm)
Width: 30" (762 mm)
Depth: 1-3/4" (45 mm)

Electrical System

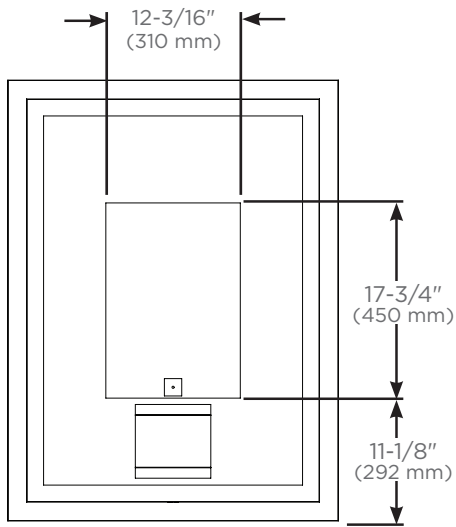
- 120 Vac 60Hz wall outlet as shown in drawing

Options

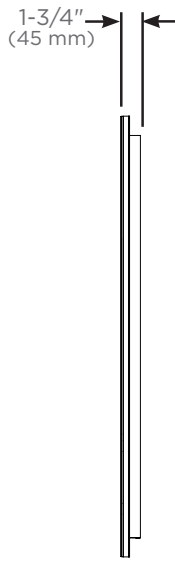
- Mirror defogging
- Dimmable LED task lighting to 1%
- Compatible with most Triac/Phase-cut dimmers

Model Number Key

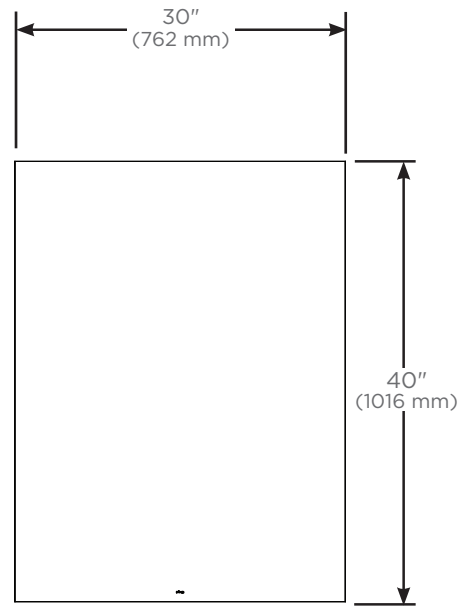
| Vitality | Mirror | Width | Height | Shape | Light Pattern | Edge Type | Defogger | Color Temp |
|----------|--------|-------|--------|---------------|---------------|---------------------|-----------------------|------------|
| Y | M | 30 | 40 | R = Rectangle | G = Glow | FP = Flat, Polished | D = Defogger Included | 3 = 2700K |



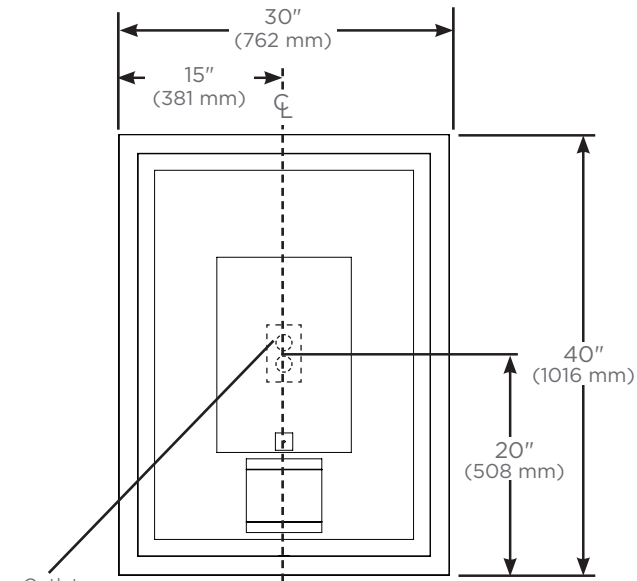
Back view for defogger location



Side view



Front view



Back view for electrical outlet location

† See instructions for wiring and location