

# Suite 6631 R - 1 skirt (front), drain at right

Product code : **SU6631R-SF**

Draft revision : **20160108100000**

External dimensions : **66" x 31" x 22" [167,6 cm x 78,7 cm x 55,9 cm]**

Series : **freestand**

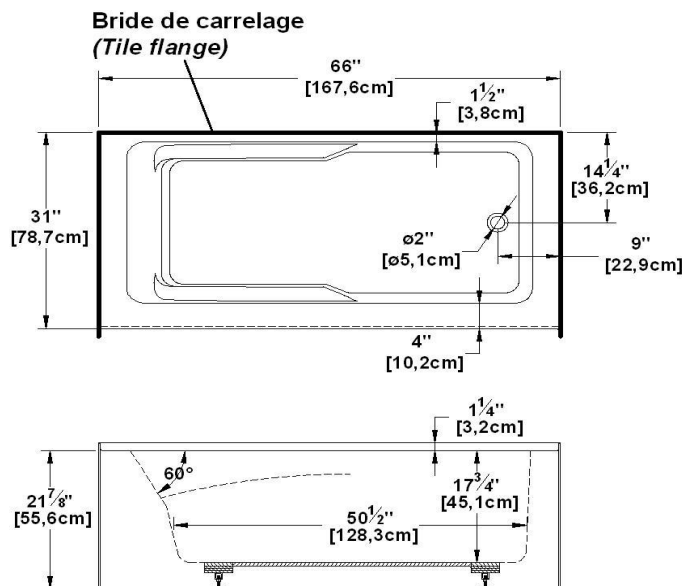
Seats : **1**

Lumbar support : **yes**

Arm rests : **yes**

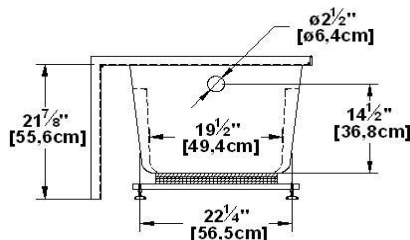
Low-profile available : **no**

## Draft and specs

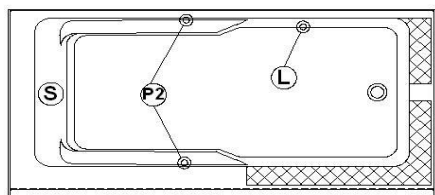


| Specifications       |                                                  |
|----------------------|--------------------------------------------------|
| Capacity :           | <b>44 IMP Gal. / 57,4 US Gal. / 200,0 liters</b> |
| AeroMassage™ :       | <b>40 Easy Clean™ air jets</b>                   |
| Super AeroMassage™ : | <b>AeroMassage™ + 12 Easy Clean™ air jets</b>    |
| Dynamic Turbo™ :     | <b>unavailable</b>                               |
| Comfort Air™ :       | <b>40 Easy Clean™ air jets</b>                   |
| Characteristics :    | <b>1 integrated skirt</b>                        |

| Remarks                                                                  |  |
|--------------------------------------------------------------------------|--|
| *all measures have a precision of $\pm 1/4"$ (0,63cm)                    |  |
| *internal dimensions taken at 4" (10cm) from bath bottom                 |  |
| *capacity is measured by filling the soaker to 1-1/2" under the overflow |  |



## Options and installation



accessories and decorative lines positions are approximative

Additional(s) note(s) :

**Integrated acrylic tile flanges. If system, delivered with keypad not installed. Available in white only.**

| Legend                                 |        |      |                     |
|----------------------------------------|--------|------|---------------------|
| (S)                                    | Blower | (L)  | Chromotherapy light |
| (P1)                                   | Pump   | (P2) | Grab bar            |
| (C)                                    | Keypad |      |                     |
| Recommended faucets drilling location* |        |      |                     |
| Deck cut-out line                      |        |      |                     |

| Available models                           |              |
|--------------------------------------------|--------------|
| Model                                      | Availability |
| Soaker alone                               | ✓            |
| Comfort Air™                               | ✓            |
| AeroMassage™                               | ✓            |
| Super AeroMassage™                         | ✓            |
| Dynamic Turbo™ (not available in the U.S.) |              |
| Dynamic Turbo™ + AeroMassage™              |              |
| Dynamic Turbo™ + Super AeroMassage™        |              |

| Available recommended options                         |  |
|-------------------------------------------------------|--|
| Front skirt :                                         |  |
| Recommended drain : <i>WOCOSBS14 (chrome finish)</i>  |  |
| Tile flanges : <i>Included on sides without skirt</i> |  |
| Remote control** : <i>available</i>                   |  |
| **Floating                                            |  |

\*It is possible to install the faucets elsewhere on the product. The installer must verify that there are no piping or wires before drilling.

**IMPORTANT NOTE** : Specifications, dimensions and models are subject to change.

Visit our website <http://www.oceania-attitude.com> to access up-to-date dimensions and informations. In all cases, information on the website is the most up-to-date.

Dimensions may vary slightly. To ensure proper fit, measurements must be taken on the product directly.

### Head office

591, avenue des Entreprises  
Thetford Mines, Quebec  
CANADA G6H 4B2

### Phone numbers

No-charge : 1-877-332-4224  
Fax : 1-866-460-4334

### Internet

Web : <http://www.oceania-attitude.com>  
Email : [info@oceaniabaths.com](mailto:info@oceaniabaths.com)