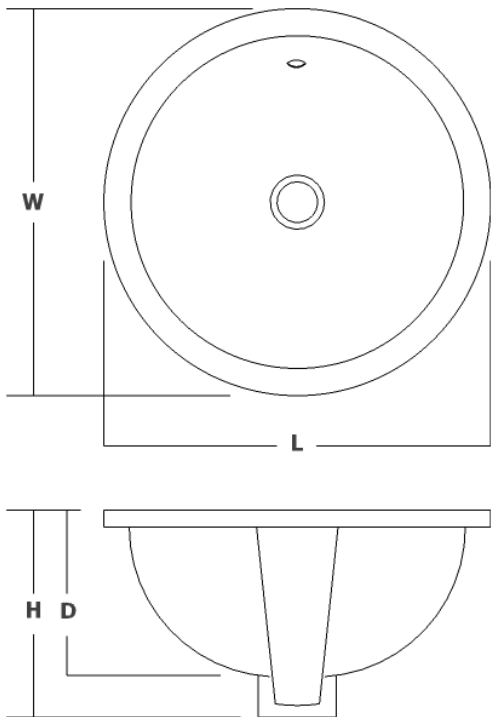


TRISHA



SPECIFICATIONS:

TRISHA SERIES

Undermount Application: With Fully Glazed Rim Surface

Trisha Small: OD: 14.25" L x 14.25" W x 7.75" H x 5.75" D

ID: 12.25" L x 12.25" W

Trisha Petite: OD: 13" L x 13" W x 7.5" H x 5.5" D

ID: 11" L x 11" W

Drain: 1.5"

ASME A112.19.1/CSA B45.2 Compliant

