

ITD35 / ITD5135

ISLAND TUB DRAIN™ (ROUGH-IN) - TESTABLE

Description:

Island Tub Drain™ (Testable Rough-in) for Freestanding Tubs

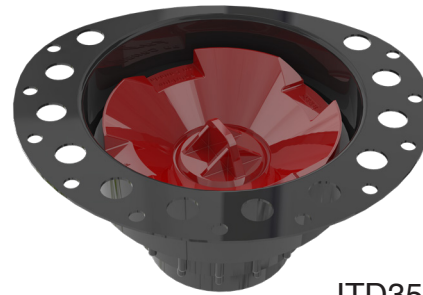
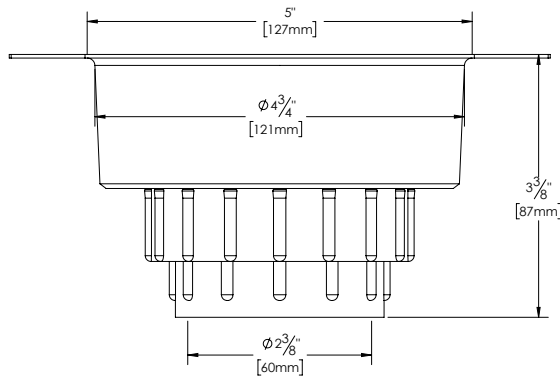
Certification*



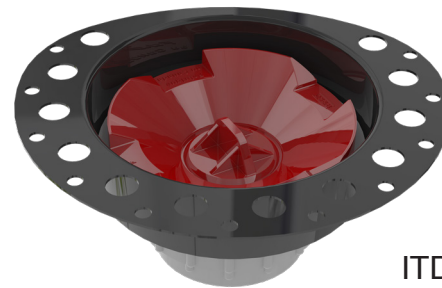
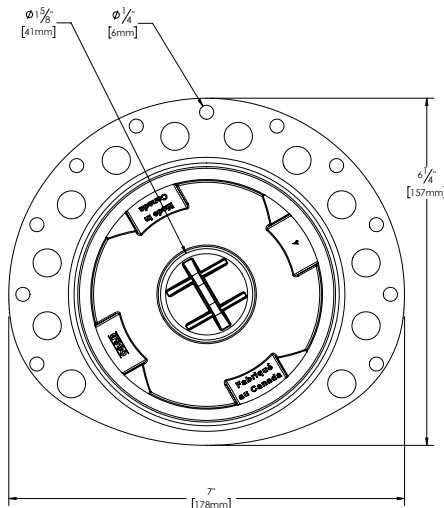
*The "cSAUS Meets UPC" mark means the product conforms to the requirements of the NPC, UPC, IPC and IRC.

Features:

- Asymmetric design 18 Gauge Epoxy coated Metal Deck Plate with holes to lock to Thinsset
- Snap off Test Cap
- Mortar/Tile Guard included
- ITD35 features an ABS Body/Tailpiece.
- ITD5135 features a White PVC Body/Tailpiece
- ITD() is a Freestanding Tub rough-in (install before tile installation)
- Designed to be installed in an 8" / 10" joist space with 1-1/2" / 2" P-Trap respectively. Can also be installed in a slab on grade application.
- Supplied with Brass Tailpieces (Threaded and Flanged) and ABS or PVC Waste/Overflow Adaptor Kit
- NOTE: Island Tub Drain™ IS NOT FOR USE with liquid applied or sheet membranes
- NOTE: Island Tub Drain™ MUST BE INSTALLED in a dry area with no potential for water contact



ITD35 (ABS)



ITD5135 (PVC)

Oakville Stamping and Bending Ltd.

2200 Speers Road, Unit C. Oakville, ON. Canada. L6L 2X8.

T. 905.827.0320 or toll free 1.877.314.6040 F. 905.827.6375 or toll free 1.877.827.6040.

All rights reserved. OS&B® reserves the right to change product specifications and material or discontinue models without notice.

www.osb.ca (Canada) www.osbplumbing.com (USA)