

**Wall Tub Spout**  
**3-724**

**Features**

- Solid brass construction
- 9.94" (25.2 cm) spout length
- 1/2" NPT inlet fitting
- Complements Tolmin product series

**Codes / Standards Compliance**

Meets or exceeds the following at date of manufacture:

- Energy Policy Act of 1992
- All applicable US Federal and State material regulations



**Colors / Finishes**

- 10B: Oil Rubbed Bronze
- 15: Polished Nickel
- 15S: Satin Nickel - PVD
- 26: Polished Chrome
- Other: Refer to the Newport Brass catalog for additional color/finish options.

**Specified Model**

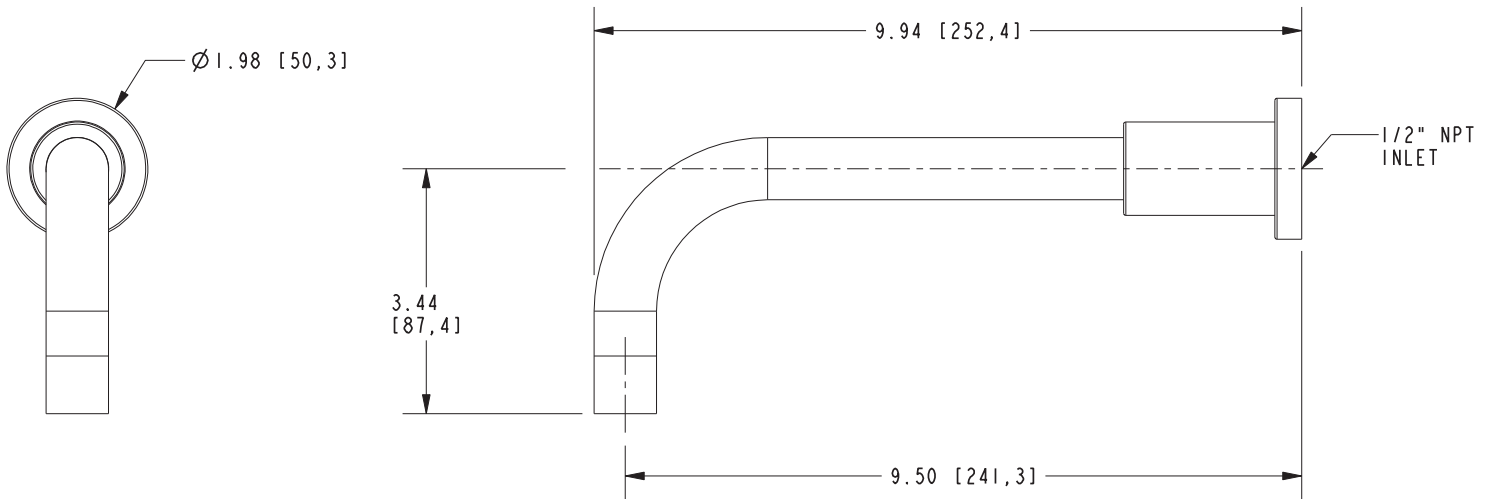
Model	Description	Colors   Finishes
3-724	Wall Tub Spout	<input type="checkbox"/> 10B <input type="checkbox"/> 15 <input type="checkbox"/> 15S <input type="checkbox"/> 26 <input type="checkbox"/> Other

**Product Specification:** Add size designator and "Color / Finish" suffix to Model number, below.

The Wall-Mounted Tub Spout shall be made of solid brass construction. Tub spout shall have a length of 9.94" (25.2 cm) and incorporate a 1/2" NPT inlet fitting. Tub Spout shall be Newport Brass Model 3-724/\_\_\_\_.

# 3-724

Product Dimensions are provided for reference only. For specific product installation guidelines, please reference the Installation Instructions of the product being installed.



## Tolmin Wall Tub Spout 3-724