

Soap / Lotion Dispenser
2940-5721

Features

- Solid brass construction
- One piece cast spout design
- Base with integral O-ring deck seal
- Removable spout for above deck refilling
- 8 fluid oz. (236 ml) capacity bottle included
- 1.52" (3.9 cm) spout height at outlet
- 3.50" (8.9 cm) spout reach (c-c)

Codes / Standards Compliance

Meets or exceeds the following at date of manufacture:

- All applicable US Federal and State material regulations

Colors / Finishes

- 10B: Oil Rubbed Bronze
 - 15: Polished Nickel
 - 15S: Satin Nickel - PVD
 - 26: Polished Chrome
- Other: Refer to the Newport Brass catalog for additional color/finish options.



Specified Model

Model	Description	Colors Finishes				
2940-5721	Soap Lotion Dispenser	<input type="checkbox"/> 10B	<input type="checkbox"/> 15	<input type="checkbox"/> 15S	<input type="checkbox"/> 26	<input type="checkbox"/> Other
20-373	Soap / Lotion Replacement Pump Head	<input type="checkbox"/> 10B	<input type="checkbox"/> 15	<input type="checkbox"/> 15S	<input type="checkbox"/> 26	<input type="checkbox"/> Other
125-8	Soap / Lotion Replacement Pump	<input type="checkbox"/> NA				
125-9	Soap / Lotion Replacement Bottle	<input type="checkbox"/> NA				

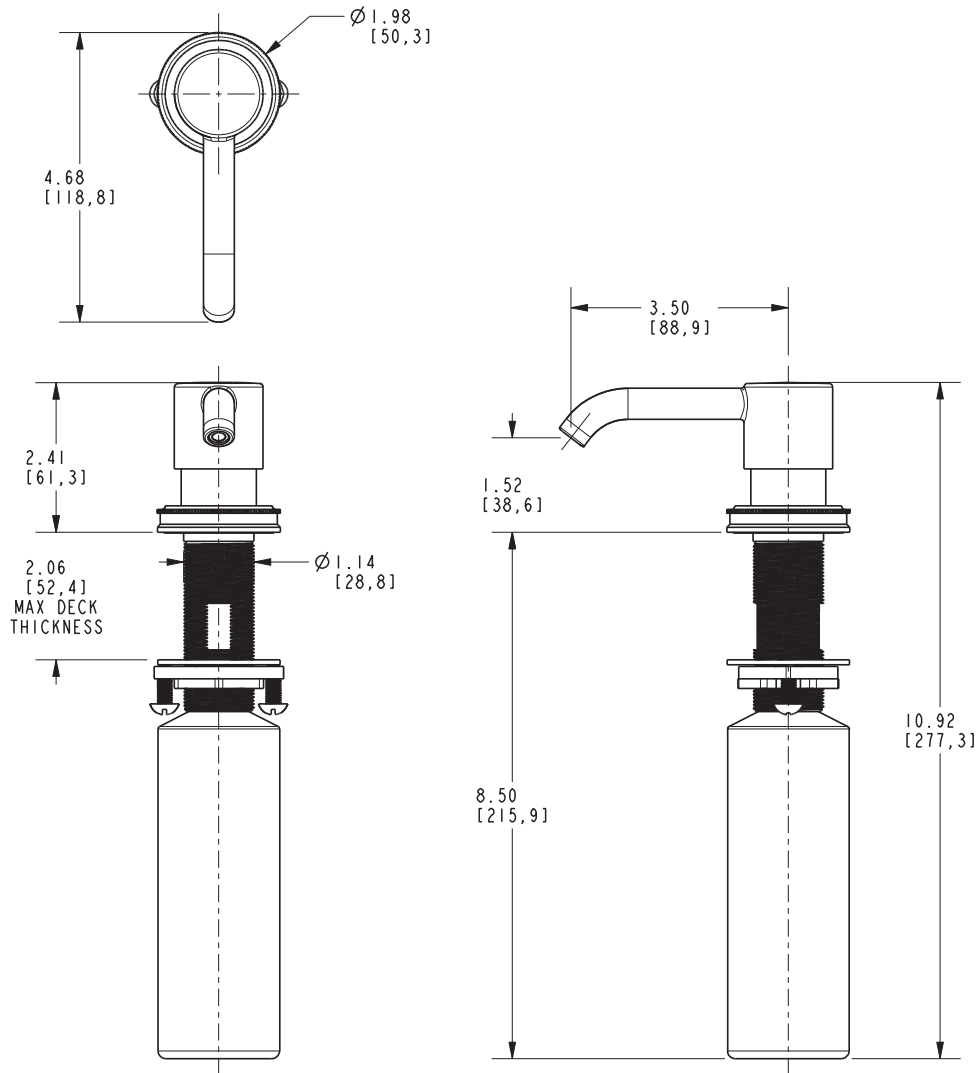
* Note: Requires 1-1/4" to 1-11/16" through hole. Accommodates 2-1/16" maximum deck thickness..

Product Specification Add "Color / Finish" suffix to Model number, below.

Dispenser shall incorporate a removable top spout assembly for easy refilling access. Dispenser shall incorporate a refillable 8 fluid ounce (236 ml) capacity container. Product shall incorporate a 1.52" (3.9 cm) spout height at outlet and a 3.50" (8.9 cm) spout reach (c-c). Soap / Lotion Dispenser shall be Newport Brass Model 2940-5721/____ .

2940-5721

PRODUCT DIMENSIONS *(Units are in inches)*



Taft Soap / Lotion Dispenser 2940-5721