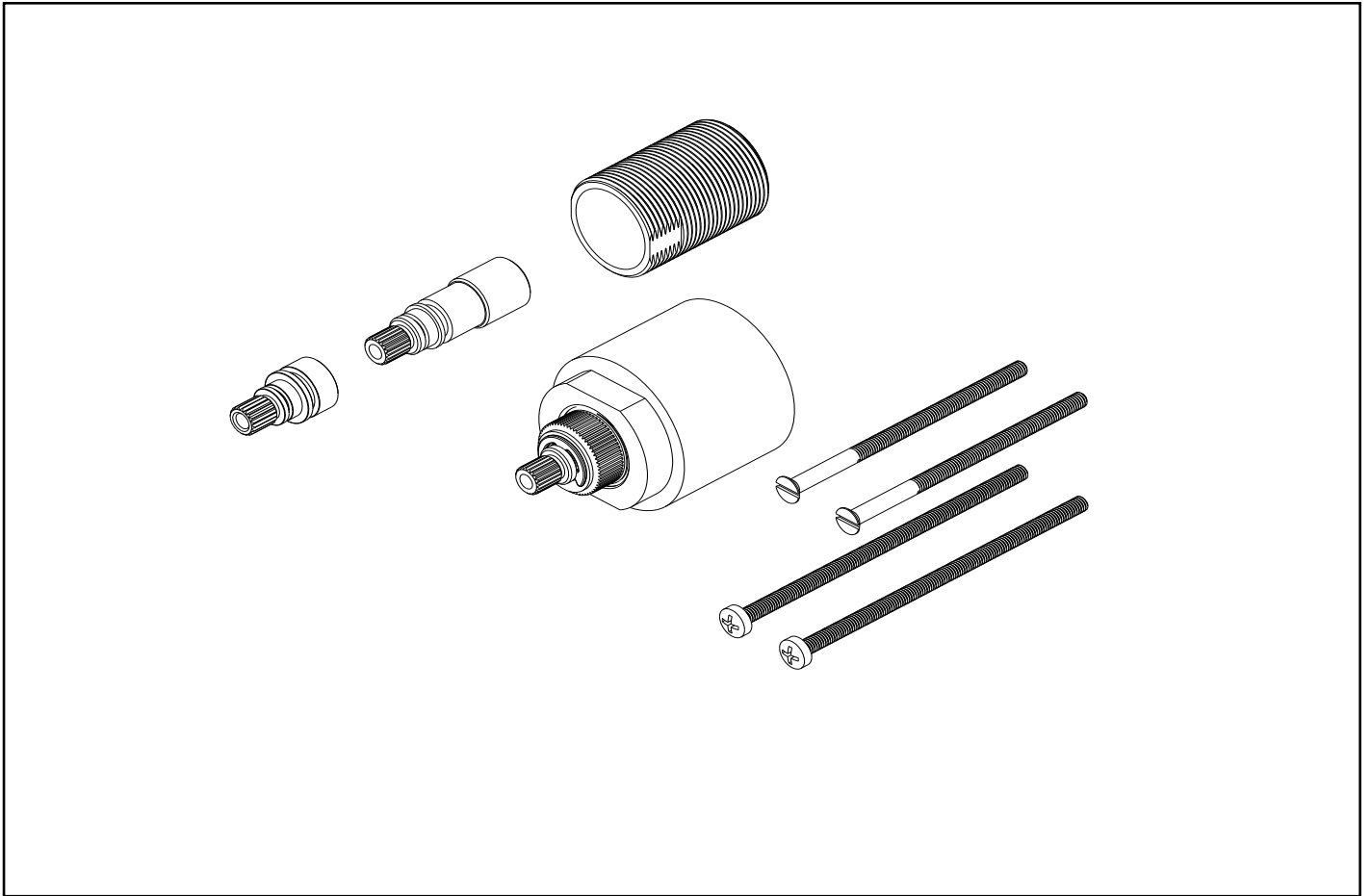


INSTALLATION INSTRUCTIONS

EXTENSION KIT 1/2" THERMO #20-146

For Valve Model No: I-741, I-742, I-743, I-744



NEWPORT BRASS
Flawless Beauty. From Faucet to Finish.™

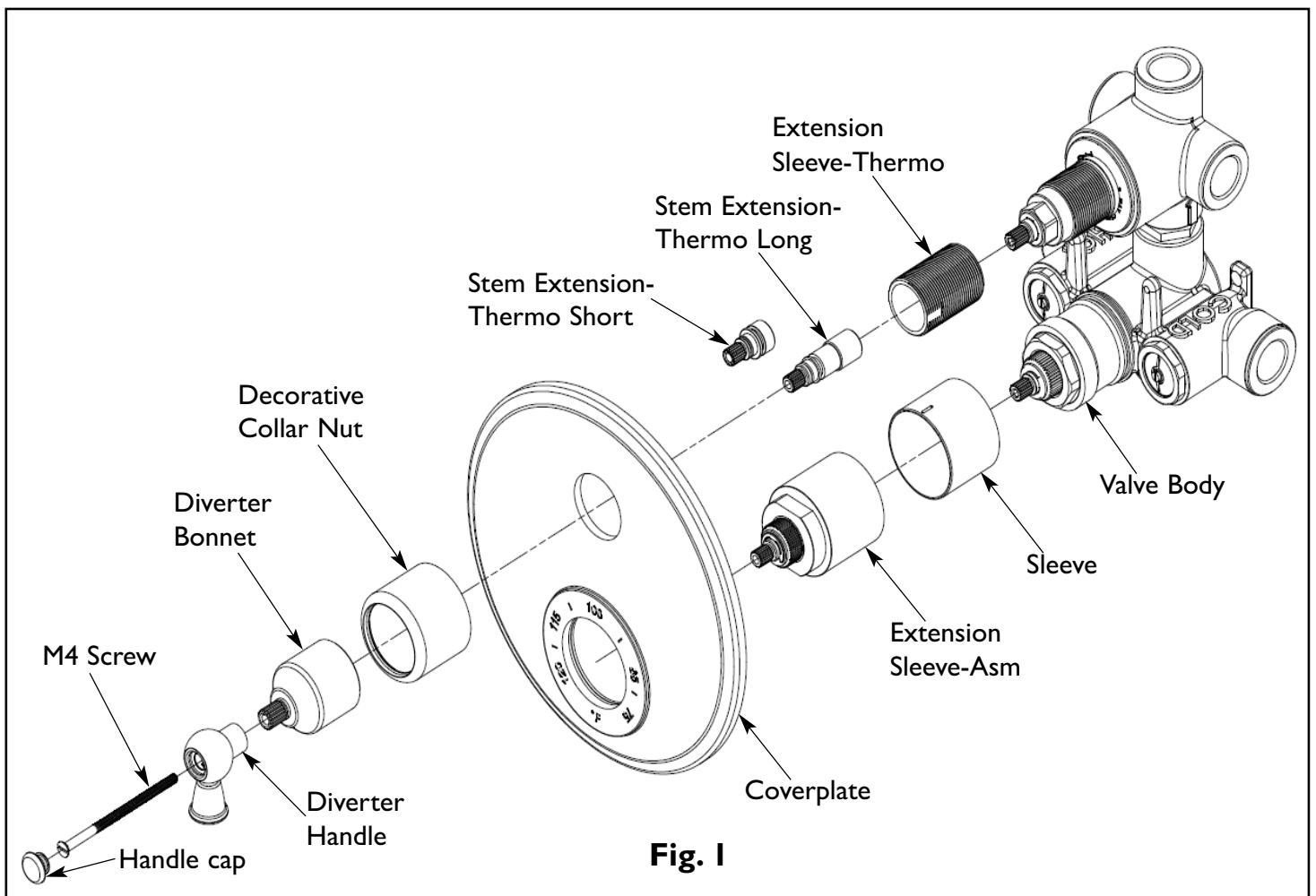
2001 CARNEGIE AVE, SANTA ANA CA 92705
(949) 417-5207

NWP-20-146

WWW.NEWPORTBRASS.COM

Installing Extension kit (See Fig.1)

1. Slide sleeve over Valve Body with grooved notch to topside.
2. Slide Extension Sleeve-Asm onto thermo valve.
3. Screw on Extension Sleeve-Thermo. Note: item may require trimming to length.
4. Slide cover plate with gasket over sleeve and secure with Decorative Collar Nut.
5. Slide Stem Extension-Thermo Long or Short onto valve stem to avoid interference with Decorative Collar Nut.
6. Slide Diverter Bonnet into Decorative Collar Nut.
7. Install Diverter Bonnet and then secure Diverter Handle with M4 screw and set screws if applicable. Note: item may require trimming to length.



Installing Trim

1. Orient and position stop ring as shown below (See Fig. 2).
2. Open shut-off valve and verify water temperature at outlet device by using a thermometer.
NOTE: The safe and factory set temperature is 100°F. If the temperature needs to be adjusted follow step 3, otherwise skip to step 4.
3. Rotate cartridge stem to adjust temperature:
(clockwise = colder or counterclockwise = hotter)
4. Place Thermo Bonnet onto cartridge stem with red button (100°F) positioned straight up and inline with notch on the sleeve (See Fig. 3). Install Thermo Handle.
5. Install Thermo Bonnet and then secure Thermo Handle with M4 screw (See Fig. 3).

