

DESCRIPTION

- Metal construction with various finishes identified by suffix
- Designed to be installed on a 1/2" pipe with slip fit-CC connection

STANDARDS

- Third party certified to CSA B125, ASME A112.18.1M and all applicable requirements referenced therein

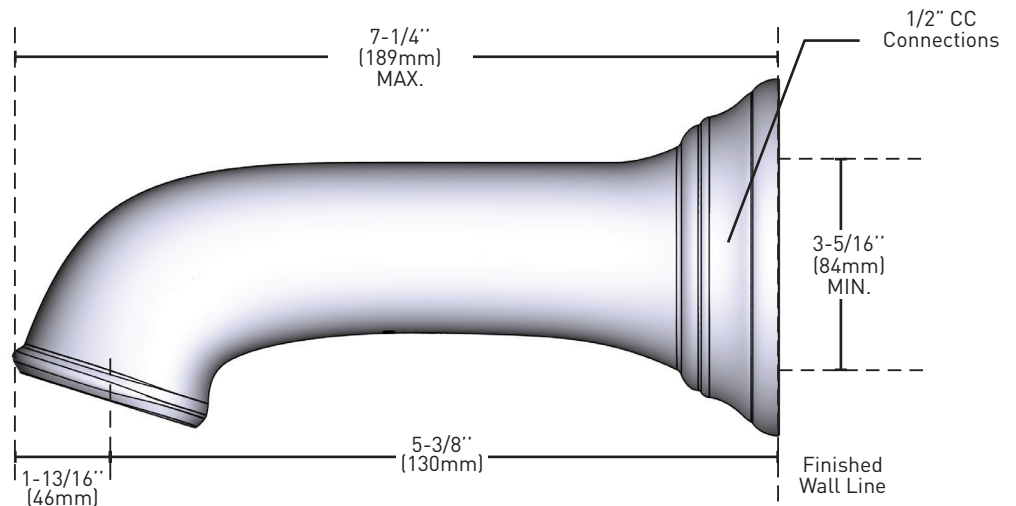
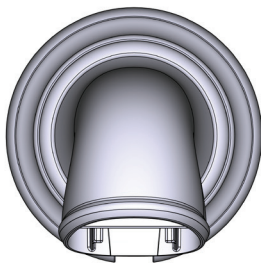
WARRANTY

- Lifetime limited warranty against leaks, drips and finish defects to the original consumer
- 5 year warranty if used in commercial installations



Traditional 1/2" Slip Fit Non-Diverting Tub Spout

MODELS: 3858 series



CRITICAL DIMENSIONS DO NOT SCALE