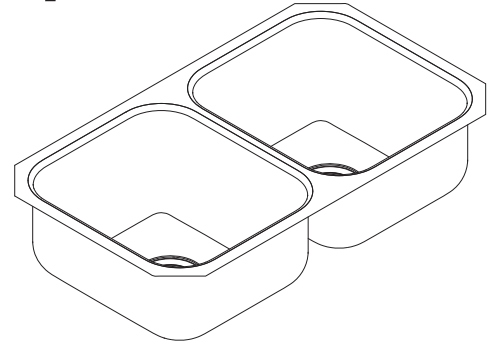


Model Number	Faucet Holes	Depth-Inches	Drain Placement	ADA/FHA Compliant*
GS20210 <i>(pictured)</i>	N/A	7-1/2"	Center	No
GS20210B	N/A	7-1/2"	Rear	No
GS20214	N/A	6"	Center	No
GS20214B	N/A	6"	Rear	ADA/FHA



### SINK DESCRIPTION

- 2000 Series double bowl undermount sink
- 20 gauge stainless steel, brushed finish
- Mounting brackets included, no other hardware included
- SoundSHIELD™ sound absorbing system

### WARRANTY

- Lifetime limited warranty to the original homeowner
- 10 year limited warranty when used in a Multi-family installation
- 5 year limited warranty when used in a Commercial installation
- Visit [www.moen.com/customer-support/warranty](http://www.moen.com/customer-support/warranty) for complete details and limitations

### SINK DIMENSIONS

- Overall: 31-3/4" x 18-1/4"
- Left Bowl: 14" x 15-3/4"
- Right Bowl: 14" x 15-3/4"
- Drain Size: 3-5/8"

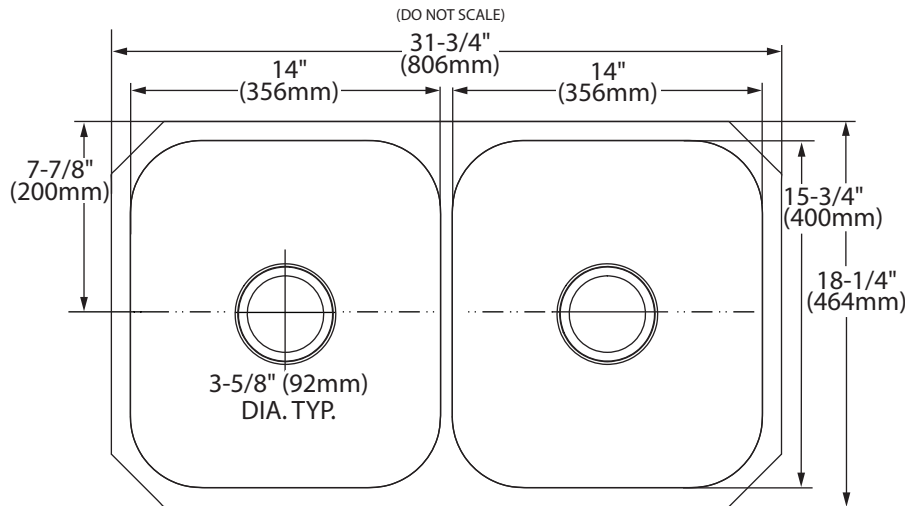
### CUT OUT DIMENSIONS

- Cut out template included

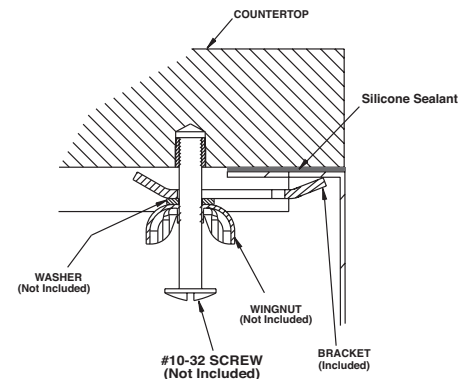
### STANDARDS

- Third party certified to meet ASME A112.19.3/CSA B45.4 and all applicable specifications referenced therein
- \***ADA/FHA** Sink compliant to ADA (ICC A117.1) and FHA accessibility specifications when installed to these required standards. Always consult with your local building department for the specific installation requirements.

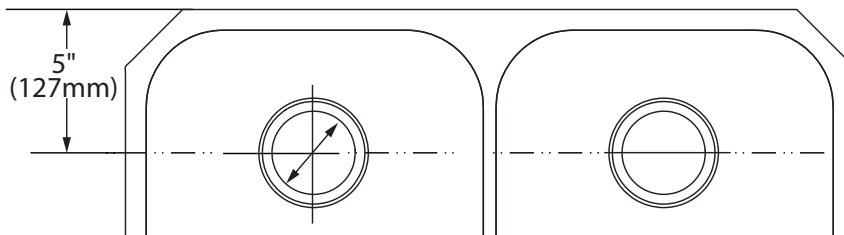
## CRITICAL DIMENSIONS



## Installation Detail



## Rear Configuration



MADE IN THE **USA**