

# MODEL **SPIN HC**

## Hot & Cold Filtered Water Stainless Steel Faucet

### SP-VS-HC

SP-VS-HC-SSM	Stainless Steel Matte
SP-VS-HC-SSP	Stainless Steel Polished
SP-VS-HC-SSMB	Stainless Steel Matte Black PVD
SP-VS-HC-SSMG	Stainless Steel Matte Gold PVD
SP-VS-HC-SSMRG	Stainless Steel Matte Rose Gold PVD*
SP-VS-HC-SSMT	Stainless Steel Matte Titanium PVD*

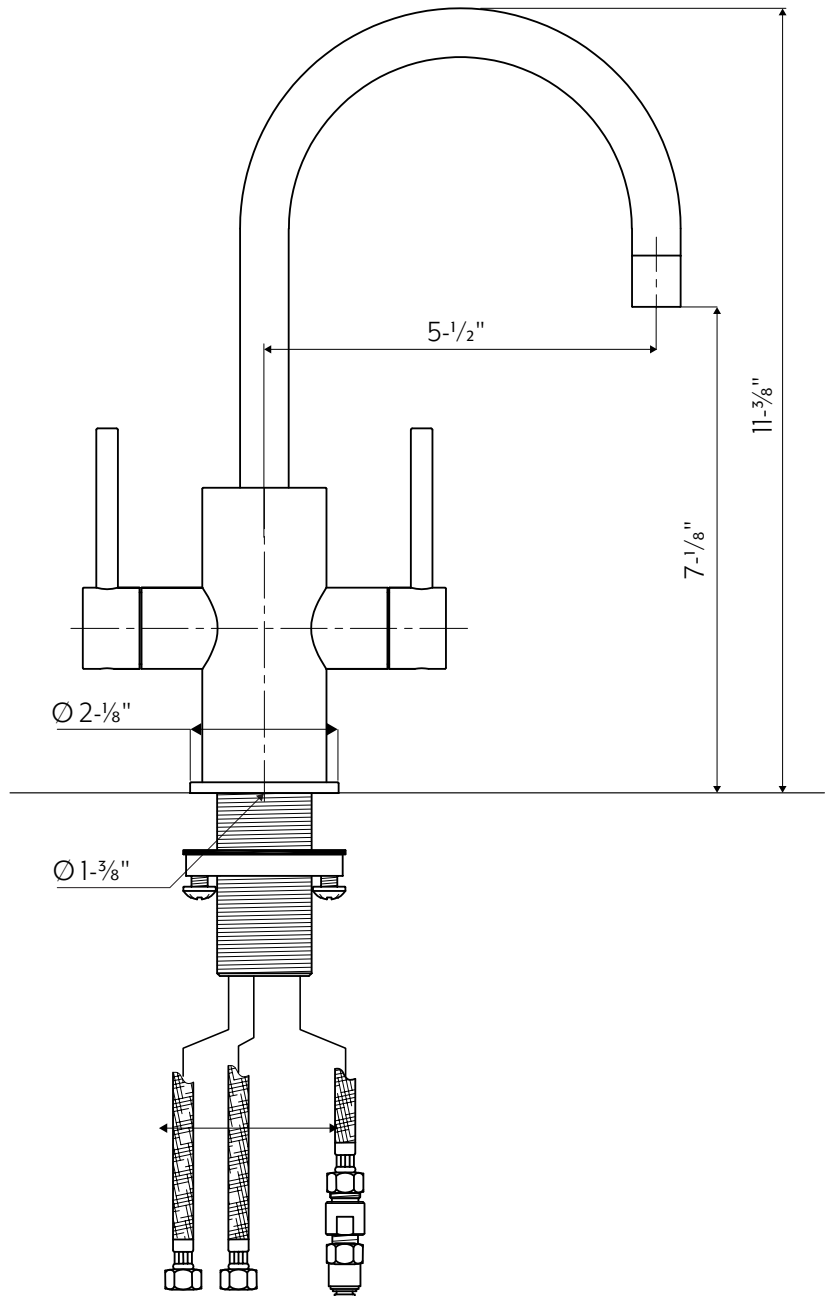
- Marine Grade 316L machined stainless steel construction
- Maximum counter thickness: 2-<sup>3</sup>/<sub>16</sub>"
- Minimum install hole diameter: 1-<sup>3</sup>/<sub>8</sub>"
- Braided stainless steel flexible hoses <sup>3</sup>/<sub>8</sub>" compression
- Flow rate: 1.3 GPM at 60 PSI
- The levers rotate 90°
- The spout rotates 360°
- The left handle for boiling or near boiling water features a spring-loaded child safety mechanism
- The right handle controls filtered water
- The spout is thermally insulated to avoid scalding due to the high water temperature
- Compatible with Reverse Osmosis filtration systems
- Can be connected to a water chiller through the cold water line
- Fully recyclable
- 100% lead free – the ideal choice for your drinking water
- Areas of application: Indoor & outdoor

#### COMPATIBLE WITH (not supplied)

- MT641-3 Mountain Plumbing hot water tank
- MT670-2 Mountain Plumbing water chiller
- MT6K-HF Mountain Plumbing water filter

#### REQUIRED MGS CONNECTION KIT (supplied)

- SV9KMT.386 Connection kit for MT641-3 Mountain Plumbing hot water tank and MT1250XL Mountain Plumbing filter



\* Available by special order only.  
Please allow 14-16 weeks lead-time.

**FB** Forte Brands™

393 Fortune Blvd, Milford, MA 01757 USA  
1.844.992.8371

fortebrands.com



Exclusively distributed in North America by Forte Brands.