

## Above Counter Oval Ceramic Basin

## Specification & Installation Guide

### FEATURES

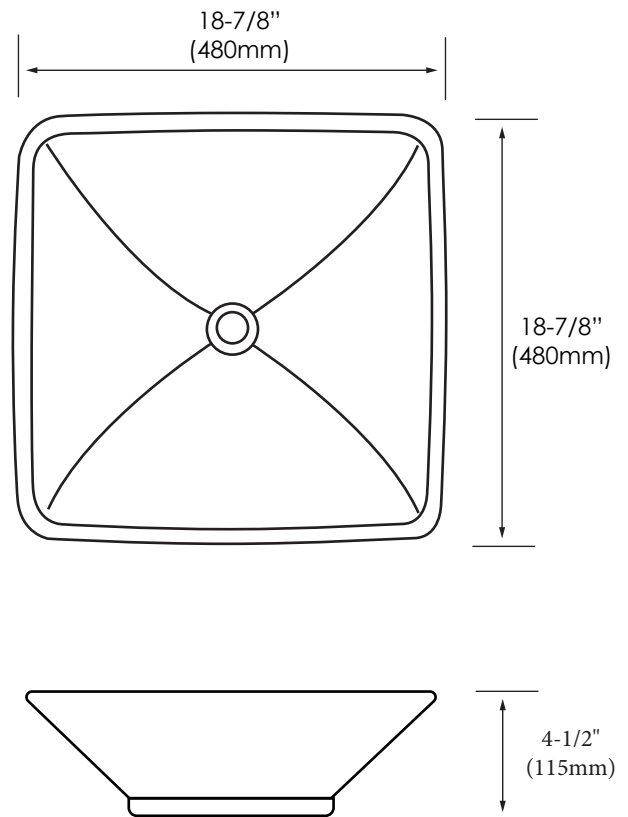
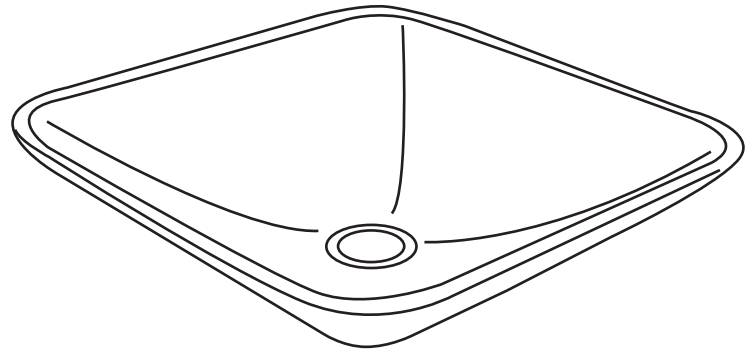
- Design: Square / Contemporary
- Material: Vitreous China
- Type: Above Counter
- Overflow: No
- Size: 18-7/8"(480mm)L x 18-7/8"(480mm)W x 4-1/2"(115mm)H
- Basin inside depth: 4-1/2" (115mm)
- Drain hole: Diameter 1-3/4" (45 mm)
- Drain hole: Yes Above counter installation
- Packaging Dimensions: 21"(533mm) x 20"(508mm) x 6" (152mm)
- Weight: 27 lbs. / 12.27 kgs.

### FINISHES

White

### COMPLIANCE

CSA B45.5-11/IAPMO Z124-11



**For clarification, please contact Madeli Customer Care at (800)-819-6988 or (305)-718-8817 Ext. 1**

All dimensions are approximate and subject to standard tolerance. Specifications subject to change without prior notice.