



BLD104-2

SMALL ROUND FLAT BOTTOM BUILDER'S SERIES

DETAILS

Materials: Copper, Brass, or Stainless Steel

Installation Type: Drop-In or Undermount

2" Drain Opening, No Overflow

Each sink is hand-crafted; no two sinks will be the same

NOTE: Due to the handmade nature of the sink, dimensions are approximate and variations in the metal may be visible.

AVAILABLE FINISHES

	DB	Dark Bronze
	AB	Antique Bronze
	UB	Satin Unlacquered Brass
	PB	Polished Unlacquered Brass
	SS	Satin Stainless Steel
	PS	Polished Stainless Steel

AVAILABLE DRAINS

	D001	2" Bar Drain
--	-------------	--------------

INSTALLATION

Drain should be installed first.

DROP-IN: Cut opening large enough for the sink to be "dropped in" to countertop.

UNDERMOUNT: Use actual sink for templating. Cuts in countertop are up to the discretion of the installer. Clips or other installation method must be provided by the fabricator/installer. Use silicone adhesive to adhere sink to countertop. Clean any excess silicone from sink surface to avoid damaging the finish.

CARE

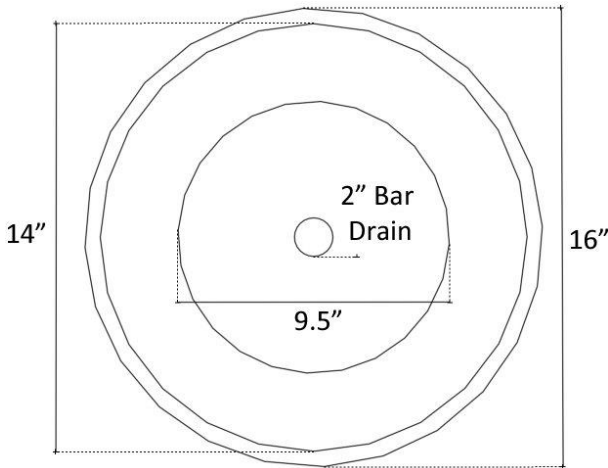
This sink has a living finish (excluding SS/PS), which will change with time and use. Use mild soap and water for everyday cleaning. Avoid any harsh abrasives, acidic cleaning products, and antibacterial hand soap. A paste wax may be applied periodically to protect the finish and help with water spotting.

WARRANTY

Linkasink warranties our product to be free from manufacturing defect for the life of the product. Warranty does not cover improper care or abuse/neglect, or changes to the living finish.



Shown in PB



All Dimensions Are Approximate

DIMENSIONS WILL VARY

DO NOT use this sheet as a guide for countertop cuts. Due to the handmade nature of each product, templates are not provided.