

Features

- Integral apron.
- Safeguard® slip-resistant surface on bath floor.
- Left-hand drain.

Material

- KOHLER® enameled cast iron.

Installation

- Three-wall alcove.

Recommended Products/Accessories

- K-7160-TF Bath Drain
- K-1491 Bath/Whirlpool Pillow
- K-1601 Bath/Whirlpool Footstop
- K-7213 27" Cable Bath Drain
- K-7214 27" Cable Bath Drain



ADA

Codes/Standards

ASME A112.19.1/CSA B45.2
ASTM F462
ADA
ICC/ANSI A117.1





KOHLER® Enameled Cast Iron Bath and Shower Base Lifetime Limited Warranty

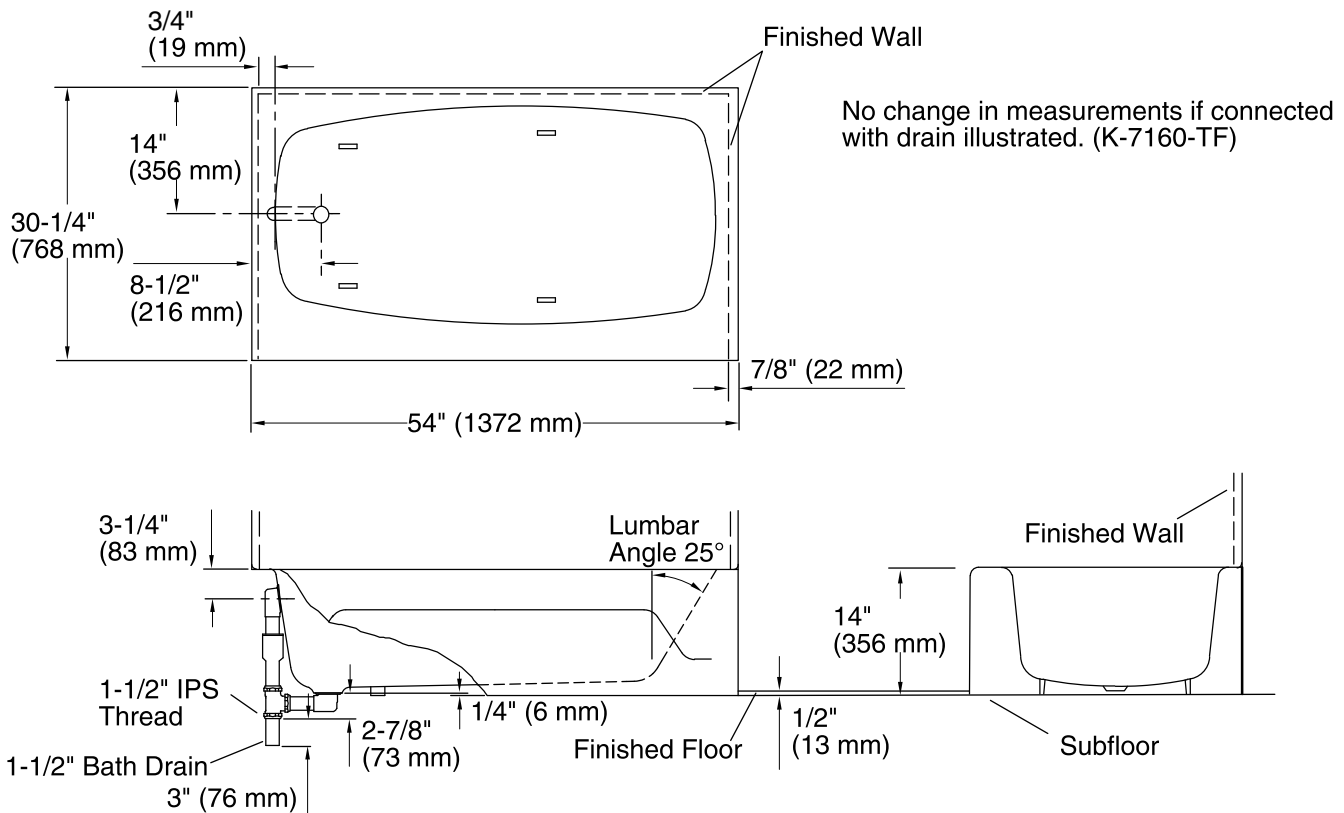
See website for detailed warranty information.

Available Colors/Finishes

Color tiles intended for reference only.

Color	Code	Description
-------	------	-------------

	0	White
	96	Biscuit
	47	Almond
	95	Ice™ Grey



Technical Information

All product dimensions are nominal.

Installation:	Three-wall alcove
Drain location:	Left
Basin area, bottom:	37" x 22" (940 mm x 559 mm)
Basin area, top:	48" x 24" (1219 mm x 610 mm)
Weight:	277 lbs (125.6 kg)
Minimum floor load:	49 lbs/ft ² (239.2 kg/m ²)
Water depth:	8-5/8" (219 mm)
Water capacity:	30 gal (113.6 L)
Minimum flat for door:	2-15/16" (75 mm)

Notes

- Measure your actual product for rough-in details. Install this product according to the installation instructions.
- The hot water supply should be 70% of the capacity of the bath or greater. Installations will vary.
- ADA compliant when installed to the specific requirements of these regulations.