

Features

- Arm features 5-3/8-inch reach.
- 1/2-inch NPT connection.

Material

- Durable metal construction.
- KOHLER finishes resist corrosion and tarnishing.

Installation

- Wall-mount



Codes/Standards



ASME A112.18.1/CSA B125.1

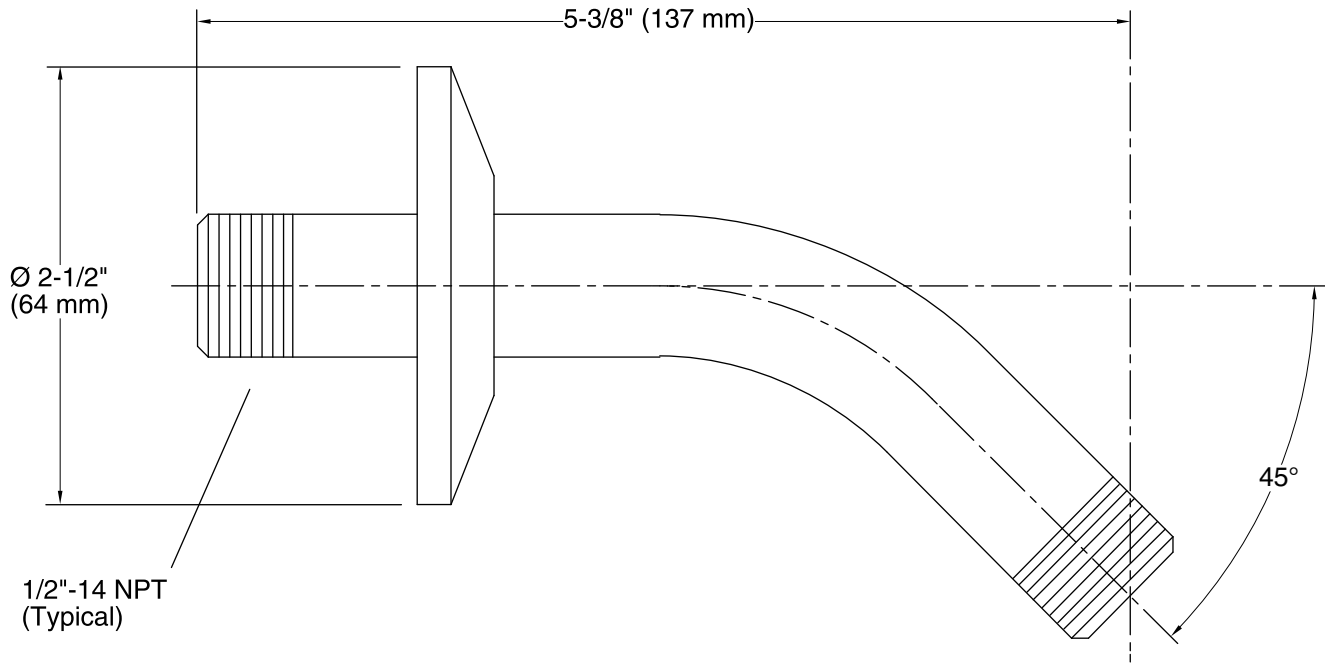
KOHLER[®] One-Year Limited Warranty

See website for detailed warranty information.

Available Colors/Finishes

Color tiles intended for reference only.

Color	Code	Description
	CP	Polished Chrome
	SN	Vibrant [®] Polished Nickel
	AF	Vibrant [®] French Gold
	PB	Vibrant [®] Polished Brass
	G	Brushed Chrome
	BN	Vibrant [®] Brushed Nickel
	BV	Vibrant [®] Brushed Bronze
	2BZ	Oil-Rubbed Bronze



Technical Information

All product dimensions are nominal.