

Features

- Kohler plumbing products mean beautiful form as much as reliable function
- Extra-heavy, elongated, open-front toilet seat
- Sturdy, chip-resistant polypropylene with a finish that won't stain or peel
- Check hinge.



Codes/Standards

None Applicable

KOHLER® One-Year Limited Warranty

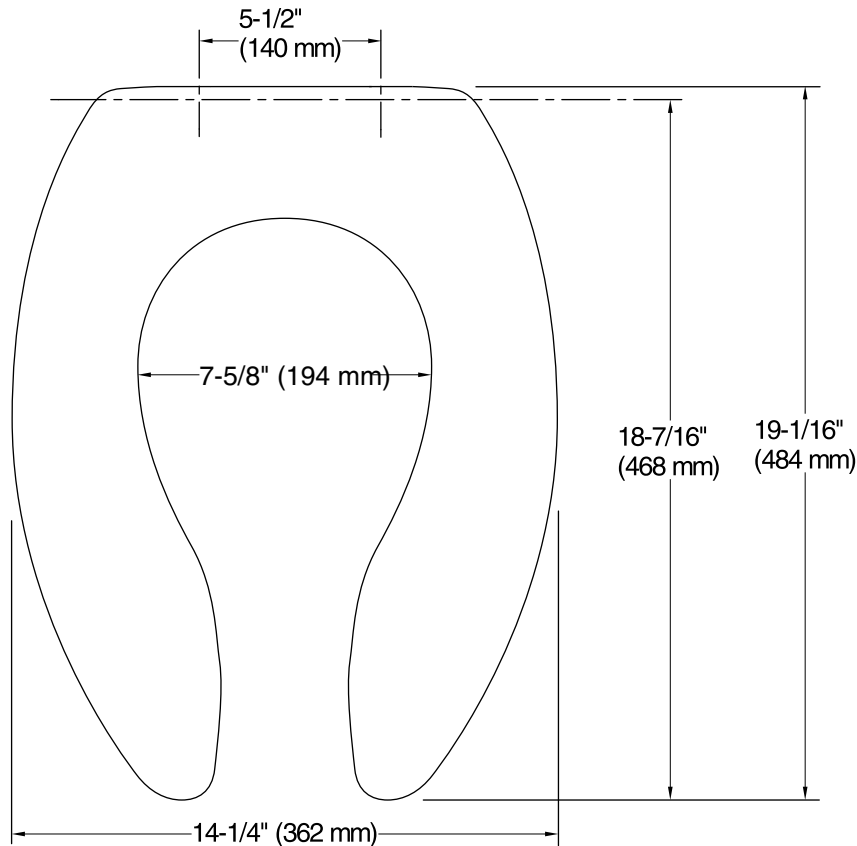
See website for detailed warranty information.

Available Colors/Finishes

Color tiles intended for reference only.

Color	Code	Description
-------	------	-------------

	0	White
--	---	-------



Technical Information

All product dimensions are nominal.

- Seat shape type: Elongated
- Seat front type: Open-front
- Seat hinge type: Check
- Seat-mounting holes: 5-1/2" (140 mm)

Notes

Install this product according to the installation guide.