

Features

- Installs on standard wall-mounted shower arms (do not use with handshowers or rainheads)
- Replaces your existing showerhead (handshower, hose, and cradle included)
- Designed to work with Sprig shower infusion pods (sold separately)
- 3 single-use pods included with starter kit (Breathe, Recharge, Sleep)
- Kit includes wrench, Allen key, and Teflon tape for easy installation
- 1.75 gpm flow rate, 3 distinct spray settings
- Ensure there is a 6.5" clearance from your shower arm to the ceiling before purchasing/installing
- No batteries or electricity required
- Weight = 6lbs
- A 45-degree angle shower arm is necessary for this product to perform optimally



Codes/Standards

ASME A112.18.1/CSA B125.1
DOE - Energy Policy Act 1992
EPA WaterSense®
California Energy Commission (CEC)

KOHLER® One-Year Limited Warranty

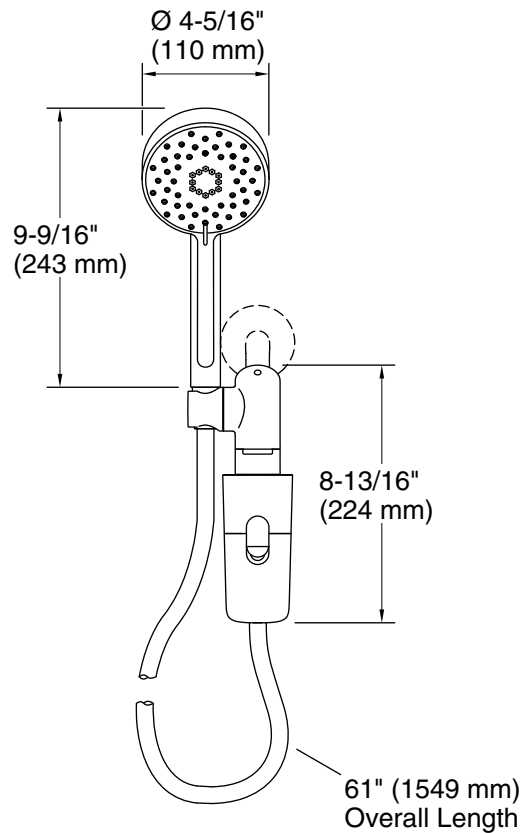
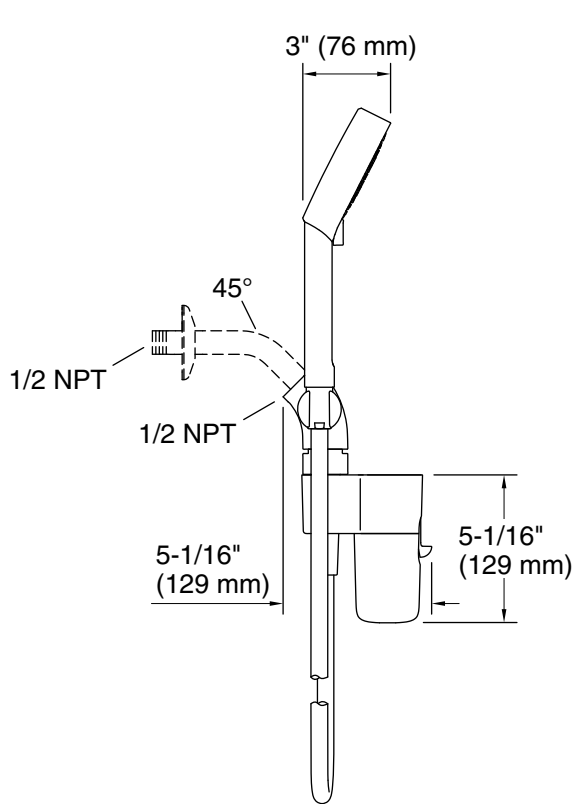
See website for detailed warranty information.

Available Colors/Finishes

Color tiles intended for reference only.

| Color | Code | Description |
|-------|------|-------------|
|-------|------|-------------|

| | | |
|---|----|-----------------|
|  | CP | Polished Chrome |
|---|----|-----------------|



Technical Information

All product dimensions are nominal.

Spout:

Handshower:

Rated maximum flow: 1.75 gal/min (6.6 l/min)

Pressure: 80 psi (5.5 bar)

Notes

For use with automatic compensating valves rated at 1.31 gal/min (5 l/min) or less.

Install this product according to the installation instructions.