

# KOHLER® Faucets

Bathroom sink faucet spout with Cane design, 0.5 gpm  
**K-27008-N**

**Occasion™**

## Features

- 6" (152 mm) spout reach.
- 0.5 gpm (1.9 lpm) maximum flow rate at 60 psi (4.14 bar).
- Laminar flow delivers a graceful stream of water.
- Includes metal pop-up drain with 1-1/4" tailpiece.
- Part of the Occasion bathroom faucet and accessory collection.

## Material

- Premium metal construction for durability and reliability.
- KOHLER finishes resist corrosion and tarnishing.

## Installation

- For 8" - 16" (203 - 406 mm) centers.
- Deck-mount.

## Required Products/Accessories

K-27010-3 Cross bathroom sink faucet handles

or

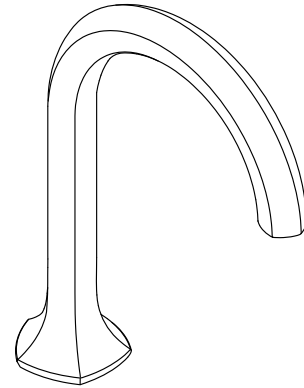
K-27010-4 Lever bathroom sink faucet handles

or

K-27010-9 Knob bathroom sink faucet handles

## Recommended Products/Accessories

K-23723 Faucet cleaner



## Codes/Standards

ASME A112.18.1/CSA B125.1

NSF/ANSI 61

NSF/ANSI 372

All applicable US Federal and State material regulations

DOE - Energy Policy Act 1992


California Energy Commission (CEC)

## KOHLER® Faucet Lifetime Limited Warranty

See website for detailed warranty information.

## Available Colors/Finishes

*Color tiles intended for reference only.*

Color	Code	Description
	SN	Vibrant® Polished Nickel
	BL	Matte Black
	2MB	Vibrant® Brushed Moderne Brass

1-800-4KOHLER (1-800-456-4537)

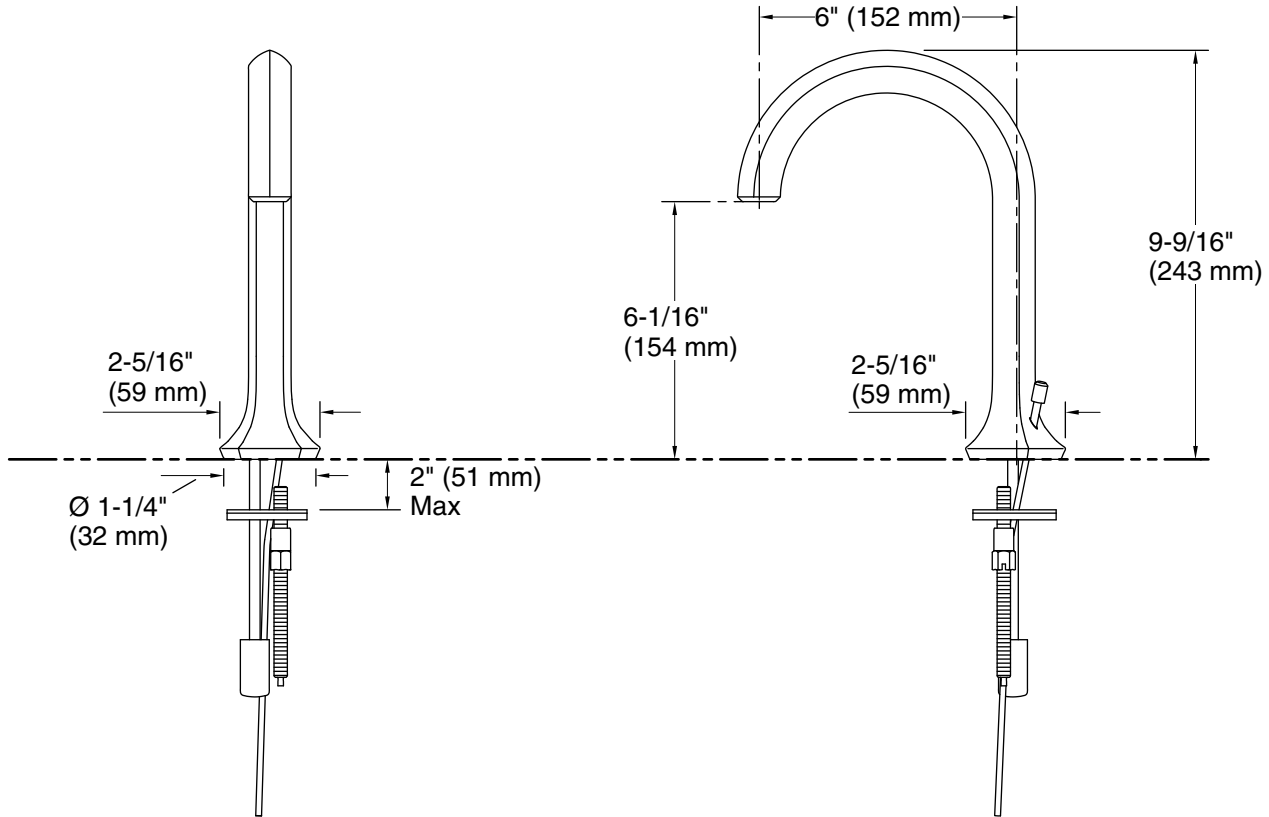
Kohler Co. reserves the right to make revisions without notice to product specifications.

For the most current Specification Sheet, go to [www.kohler.com](http://www.kohler.com).

8-26-2022 12:30 - US/CA/CN/IN/MX

THE BOLD LOOK  
OF **KOHLER®**

**KOHLER** Faucets Bathroom sink faucet spout with Cane design, 0.5 gpm  
**Occasion™**  
**K-27008-N**



**Technical Information**

All product dimensions are nominal.

**Faucet:**

Flow rate: 0.5 gal/min (1.9 l/min)

Pressure: 60 psi (4.1 bar)

Drain included: Yes

Drain with overflow: Yes

**Notes**

Install this product according to the installation instructions.