

Features

- Brass construction and valve bodies.
- Durable polished chrome plate finish.
- Quarter-turn washerless ceramic disc valves.
- Vandal resistant aerator.
- Vandal proof ADA compliant lever handle with red and blue indexing.
- For 8" (203 mm) centers.
- 8-3/16" (208 mm) swing spout.
- Less drain.
- 1.8 gal/min (6.8 l/min) maximum flow rate [max at 60 psi (4.14 bar)].
- Low Lead- Safe Drinking Water Act (SDWA) compliant.
- Matching finish sidespray with integral diverter.



ADA CSA B651

Codes/Standards

ASME A112.18.1/CSA B125.1
NSF/ANSI 61
NSF/ANSI 372
All applicable US Federal and State material regulations
DOE - Energy Policy Act 1992
California Energy Commission (CEC)
ADA
ICC/ANSI A117.1
CSA B651

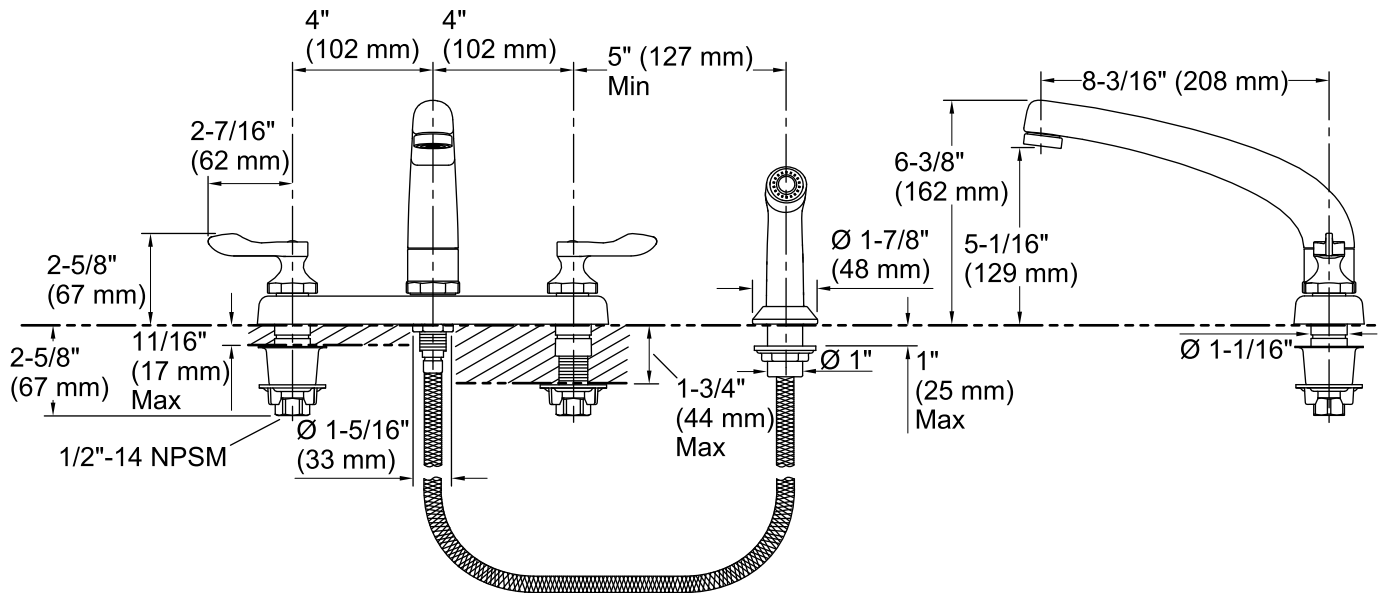
KOHLER® One-Year Limited Warranty

See website for detailed warranty information.

Available Color/Finishes

Color tiles intended for reference only.

Color	Code	Description
	CP	Polished Chrome



Technical Information

All product dimensions are nominal.

Faucet:

Flow rate: 1.8 gal/min (6.8 l/min)
Pressure: 60 psi (4.1 bar)

Sidespray:

Flow rate: 1.2 gal/min (4.5 l/min)
Pressure: 60 psi (4.1 bar)

Spout:

Spout reach: 8-3/16" (208 mm)
Handle clearance: 2-3/8" (60 mm)

Notes

Install this product according to the installation guide.

Drill the hole for the sidespray a minimum of 5" (127 mm) from the center of the lever handle.

ADA, CSA B651 compliant when installed to the specific requirements of these regulations.