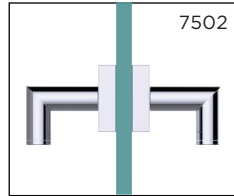
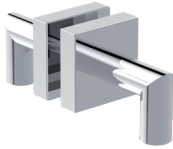


MADRID COLLECTION
DOUBLE SDH KNOB
2627502

Mounting
Options

7502



PRODUCT NAME: DOUBLE SDH KNOB

PRODUCT CODE: 2627502

MATERIAL: All-brass construction

KEY FEATURES: Contemporary design.
Simple and straight forward lines.
Strong linear silhouette.

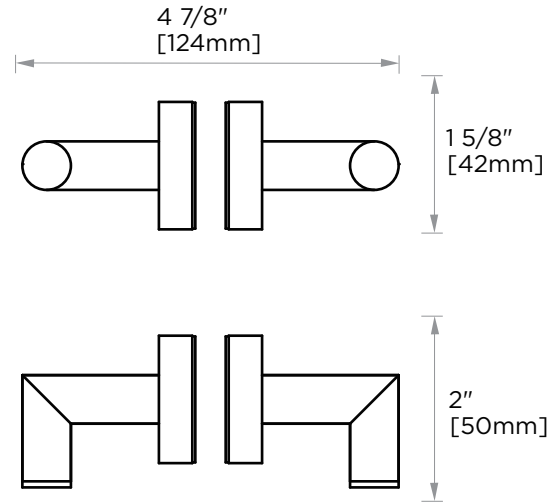
STOCKED FINISHES:

- Polished Chrome (99)
- Brushed Nickel (81)
- Polished Nickel (68)
- Matte Black (48)

SPECIAL FINISHES AVAILABLE: 26 options available.
Please see our website for full list samples

WARRANTY:

Lifetime Limited (Residential Use)
One Year (Commercial Use)



NOTE: Dimensions and specifications are subject to change without notice.