

23 5/8"

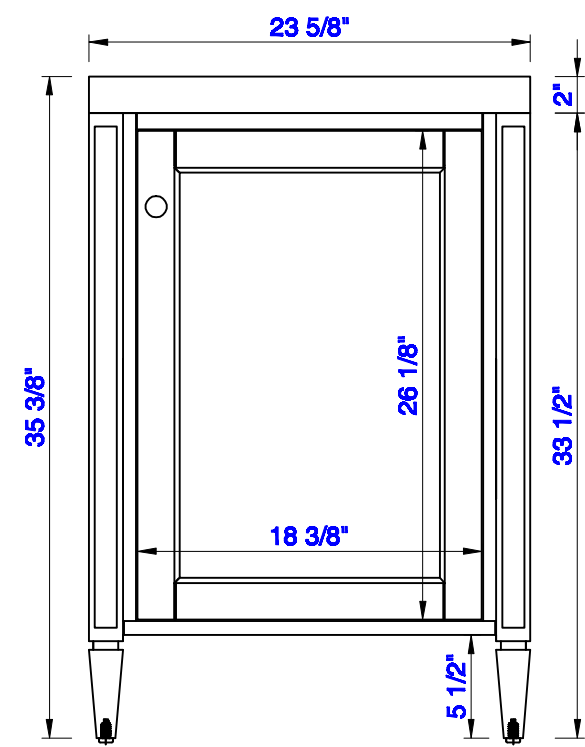
Item Number:
E652-V24-BKO-WG
E652-V24-GW-WG
E652-V24-MCA-WG
E652-V24-NVB-WG

JAMES MARTIN



VANITIES™

Brittania 23 5/8" Cabinet
Diagrams with Dimensions
page 01 of 03



NOTE ONE: Countertop with integrated sink is shown on this cabinet
NOTE TWO: This vanity does not have a Backsplash.

Version:202004

23 5/8"

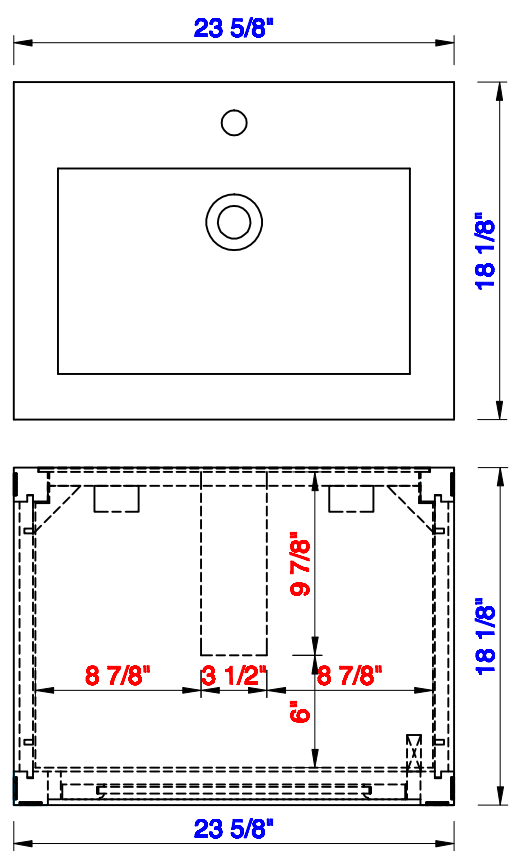
Item Number:
E652-V24-BKO-WG
E652-V24-GW-WG
E652-V24-MCA-WG
E652-V24-NVB-WG

JAMES MARTIN



VANITIES™

Brittania 23 5/8" Cabinet
Diagrams with Dimensions
page 02 of 03



NOTE ONE: Countertop with integrated sink is shown on this cabinet.

Version:202004

23 5/8"

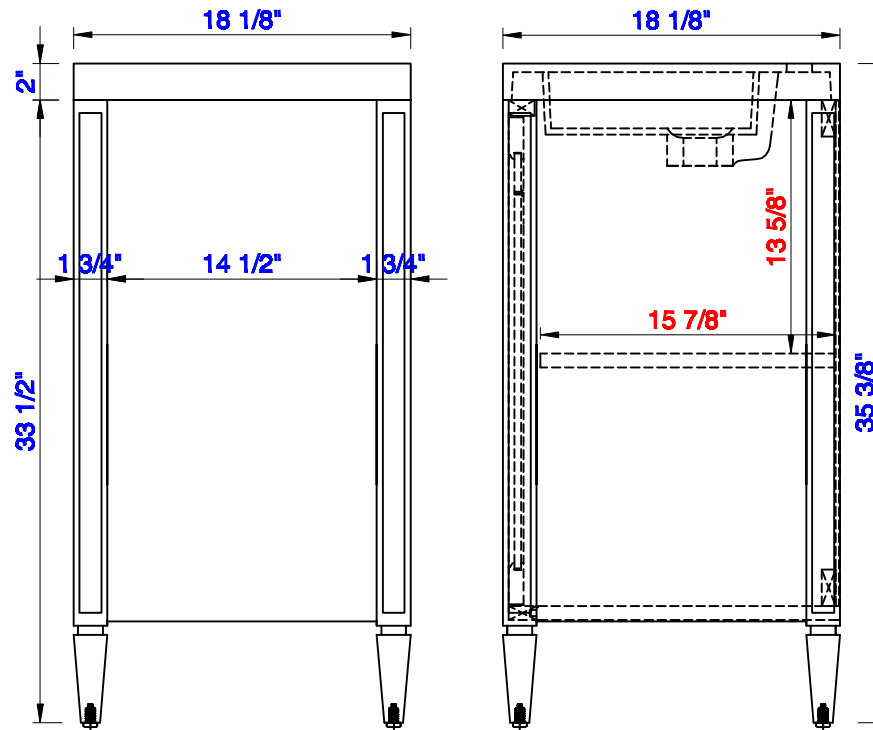
Item Number:
E652-V24-BKO-WG
E652-V24-GW-WG
E652-V24-MCA-WG
E652-V24-NVB-WG

JAMES MARTIN



VANITIES™

Brittania 23 5/8" Cabinet
Diagrams with Dimensions
page 03 of 03



NOTE ONE: Countertop with integrated sink is shown on this cabinet
NOTE TWO: This vanity does not have a Backsplash.

Version:202004

600mm

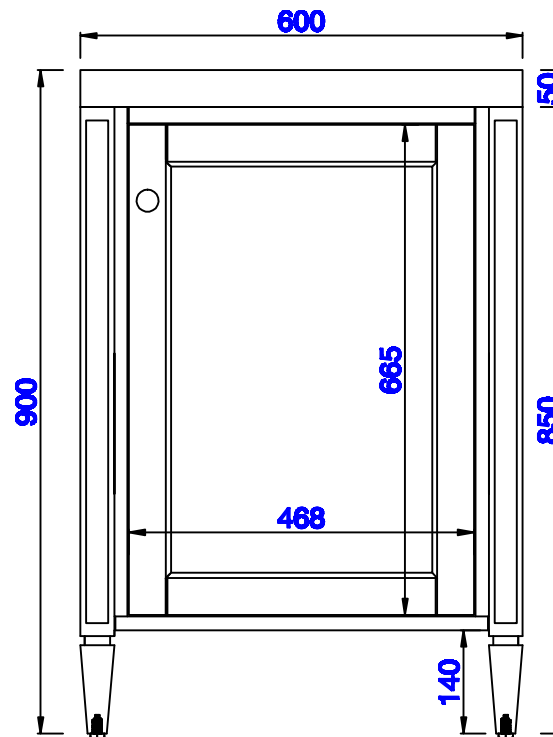
Item Number:
E652-V24-BKO-WG
E652-V24-GW-WG
E652-V24-MCA-WG
E652-V24-NVB-WG

JAMES MARTIN



VANITIES™

Brittania 600mm Cabinet
Diagrams with Dimensions
page 01 of 03



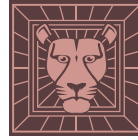
NOTE ONE: Countertop with integrated sink is shown on this cabinet
NOTE TWO: This vanity does not have a Backsplash.

Version:202004

600mm

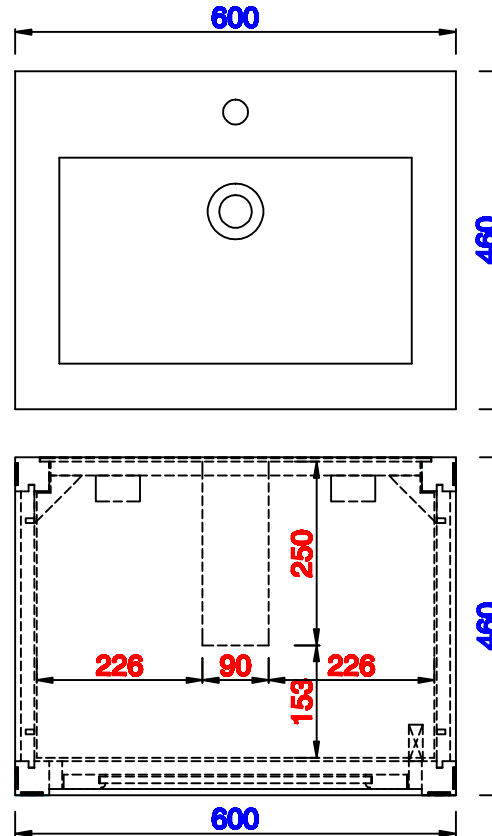
Item Number:
E652-V24-BKO-WG
E652-V24-GW-WG
E652-V24-MCA-WG
E652-V24-NVB-WG

JAMES MARTIN



VANITIES™

Brittania 600mm Cabinet
Diagrams with Dimensions
page 02 of 03

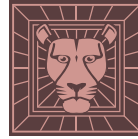


NOTE ONE: Countertop with integrated sink is shown on this cabinet.

Version:202004

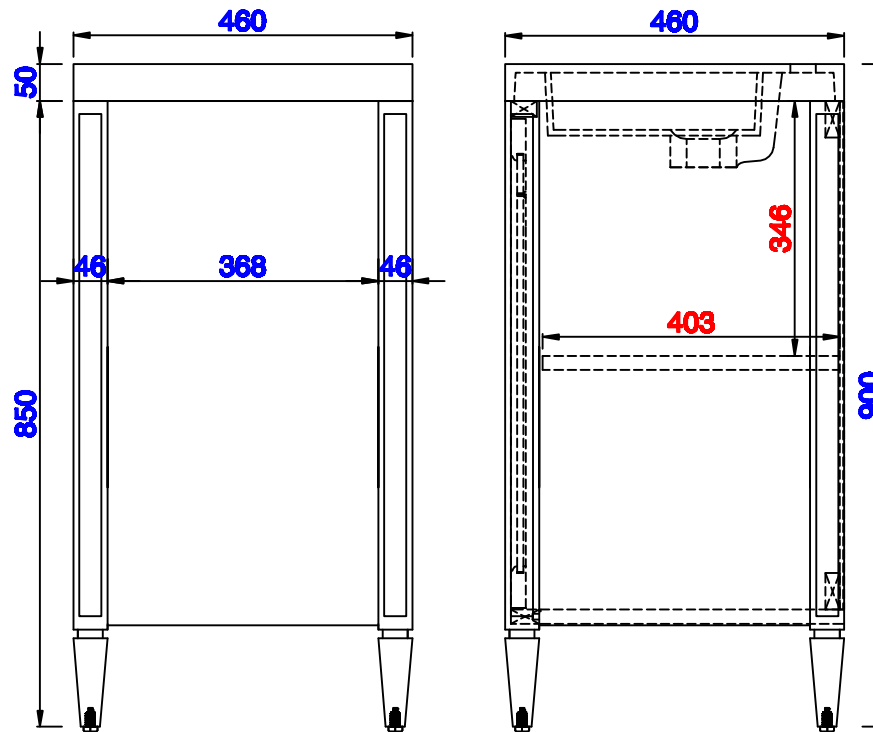
Item Number:
E652-V24-BKO-WG
E652-V24-GW-WG
E652-V24-MCA-WG
E652-V24-NVB-WG

JAMES MARTIN



VANITIES™

Brittania 600mm Cabinet
Diagrams with Dimensions
page 03 of 03



NOTE ONE: Countertop with integrated sink is shown on this cabinet
NOTE TWO: This vanity does not have a Backsplash.