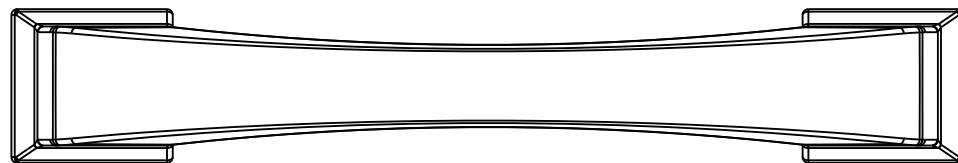
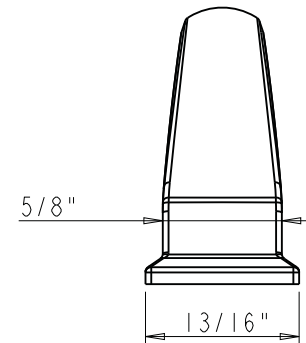


SECTION A-A



	ITEM:	944-96	MATERIAL:	ZINC
	FINISH:		WEIGHT:	106 g
PROPRIETARY AND CONFIDENTIAL THE INFORMATION CONTAINED IN THIS DRAWING IS THE SOLE PROPERTY OF HARDWARE RESOURCES INC. ANY REPRODUCTION IN PART OR AS A WHOLE WITHOUT THE WRITTEN PERMISSION OF HARDWARE RESOURCES INC. IS PROHIBITED.			PROJECTION	
TOLERANCE UNLESS OTHERWISE SPECIFIED:	UNITS:	DRAWN BY:	DATE:	
X ±0.20		Hugo.cai	Mar-14-18	
X.X ±0.10	SIZE:	APPROVED BY:	DATE:	
X.XX ±0.05	SHEET:	RELEASE LEVEL:	REVISION:	
ANGULAR: ±0.5°				
DO NOT SCALE DRAWING				