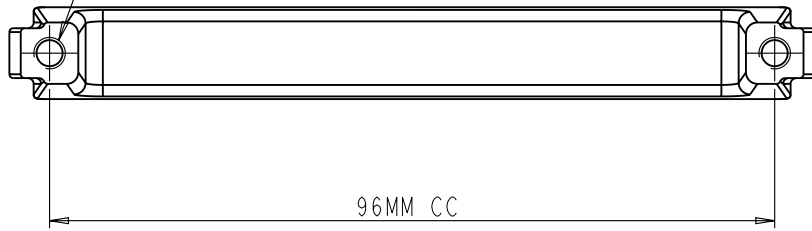
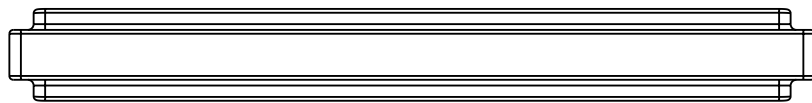
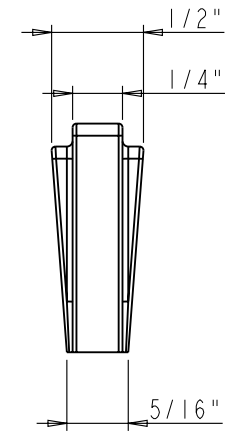
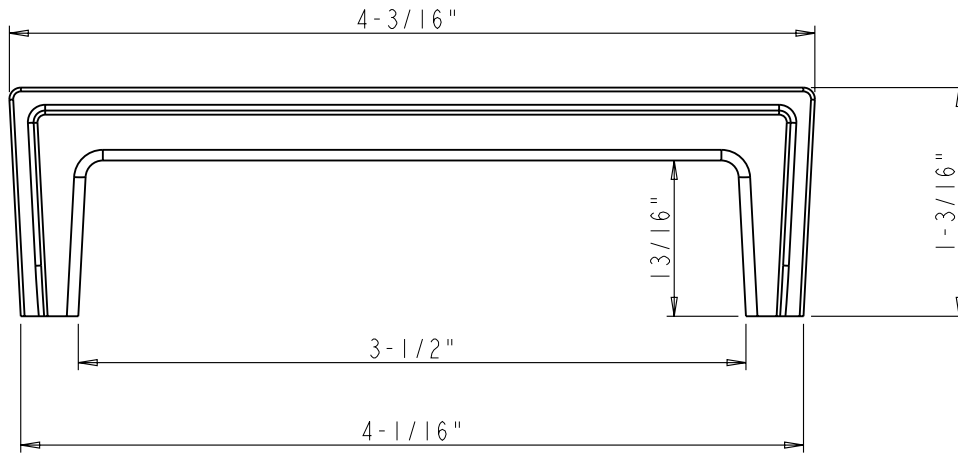
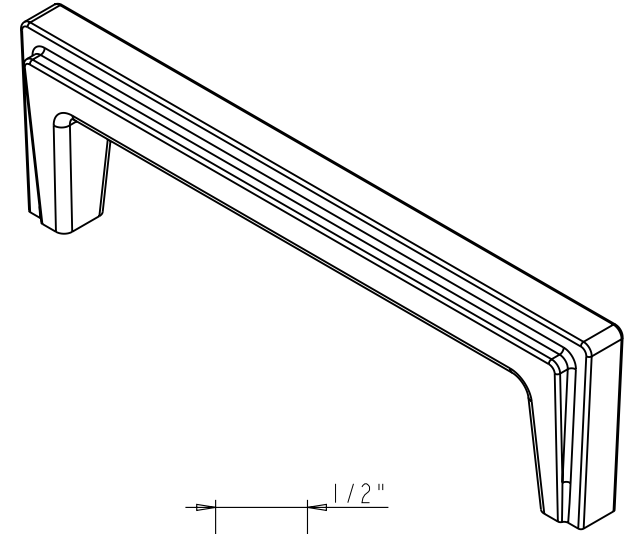



8-32 UNC - DRILL DEPTH 5/8"
SCREW DEPTH 1/2"



96MM CC



	ITEM:	259-96		MATERIAL:	ZINC
	FINISH:			WEIGHT:	83.79 g
PROPRIETARY AND CONFIDENTIAL THE INFORMATION CONTAINED IN THIS DRAWING IS THE SOLE PROPERTY OF HARDWARE RESOURCES INC. ANY REPRODUCTION IN PART OR AS A WHOLE WITHOUT THE WRITTEN PERMISSION OF HARDWARE RESOURCES INC. IS PROHIBITED.	TOLERANCE UNLESS OTHERWISE SPECIFIED:	UNIT:	DRAWN BY:	DATE:	
	X : MM ±0.20	SIZE:	alan.liu	CHECKED BY:	DATE:
	X.X : MM ±0.10		APPROVED BY:		DATE:
	X.XX : MM ±0.05				
	ANGULAR: ±0.5°				
	DO NOT SCALE DRAWING				