

Quarter Turn Angle Pattern 1/2" Copper (Sweat Fit) x 3/8" O.D. Faucet Supply Kit with Square Lever Handle, 20" Supply Tubes & Bell Escutcheons

Model #: 629-6-62-



FEATURES:

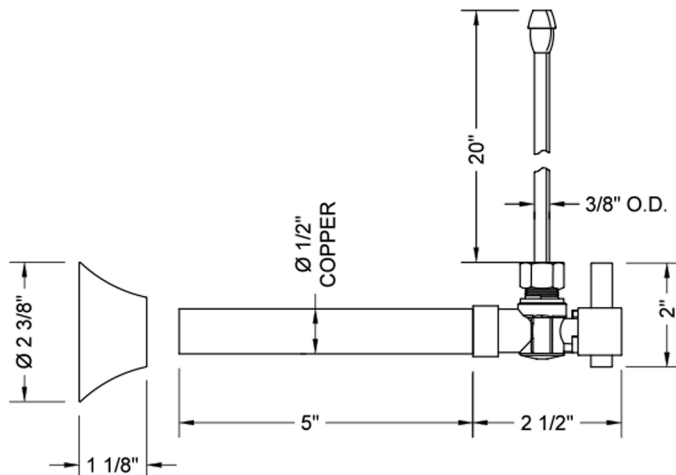
- Complete Faucet Supply Kit
- Kit contains:
 - (2) Quarter Turn Angle Pattern 1/2" Copper (Sweat Fit) x 3/8" O.D. Supply Valve with Square Lever Handle P/N 629-6
 - (2) 20" Copper Supply Tubes P/N 662
 - (2) Bell Escutcheons P/N 7116

AVAILABLE FINISHES:

Polished Chrome (PCH)	Satin Chrome (SC)	Bronze Umber (BU)
Satin Nickel (SN)	Pewter (PEW)	Caramel Bronze (CB)
Polished Nickel (PN)	Antique Brass (AB)	Antique Copper (ACU)
Oil-Rubbed Bronze (ORB)	Polished Brass (PB)	Polished Copper (PCU)
Vintage Bronze (VB)	Satin Brass (SB)	Rose Gold (RG)
Matte Black (MBK)	Satin Gold (SG)	Polished Gold (PG)
Black Nickel (BKN)	Bombay Gold (BG)	Jewelers Gold (JG)
Europa Bronze (EB)	White (WH)	Sedona Beige (SDB)
Tristan Brass (TB)	Satin Cooper (SCU)	

SPECIFICATION DRAWING:

COMPONENTS	
DESCRIPTION	QTY:
ANGLE VALVE - SQUARE LEVER HANDLE	2
3/8" O.D. SUPPLY TUBE	2
ESCUTCHEON	2



AVAILABLE HANDLES:

