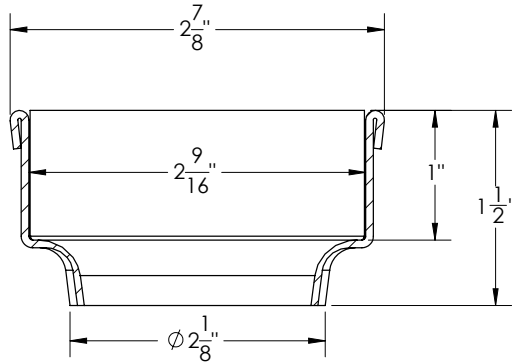


XC 65 Specifications



XC 65:

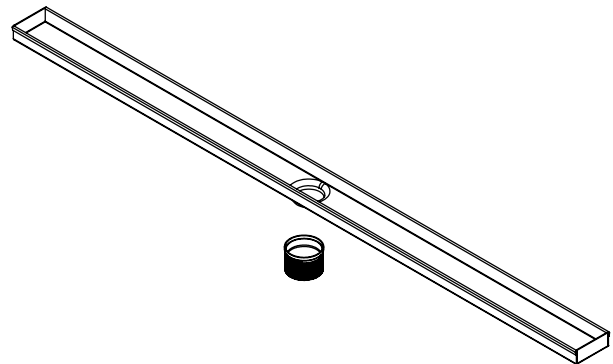
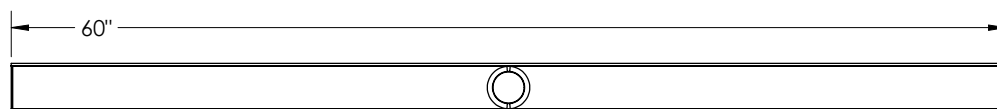
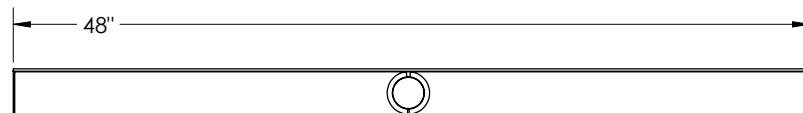
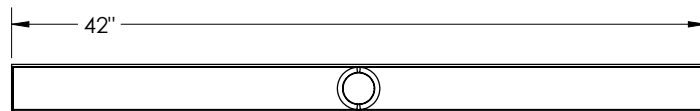
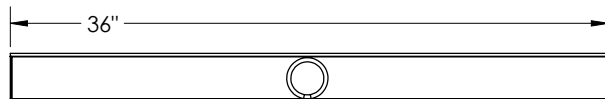
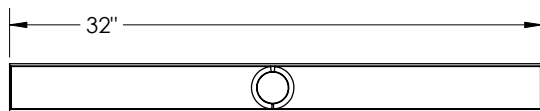
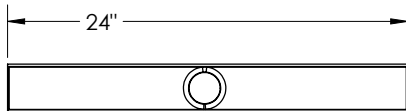
- Fixed Length Stainless Steel channel for the following models:
FXLTIF 65, FXIG 65, FXSG 65 and FXAS 65 series drains
- Fixed Length NOT Site Sizable™
- 2" threaded waste line connection via TNAS threaded outlet (included with channel)

Models (overall dimensions):

- XC 6524: 24" L x 2 7/8" W x 1 1/2" H
- XC 6532: 32" L x 2 7/8" W x 1 1/2" H
- XC 6536: 36" L x 2 7/8" W x 1 1/2" H
- XC 6542: 42" L x 2 7/8" W x 1 1/2" H
- XC 6548: 48" L x 2 7/8" W x 1 1/2" H
- XC 6560: 60" L x 2 7/8" W x 1 1/2" H

Finishes:

- Satin Stainless - SS
- Polished Stainless - PS
- Satin Bronze - SB
- Oil Rubbed Bronze - ORB
- Matte Black - BK



Infinity Drain
145 Dixon Avenue
Amityville, NY 11701
Phone: 516.767.6786
Fax: 516.740.3066
www.infinitydrain.com



NOTE: Installer must verify all rough-in dimensions prior to installation and consult local and national codes. Conformity and compliance to local and national codes are the responsibility of the installer.