

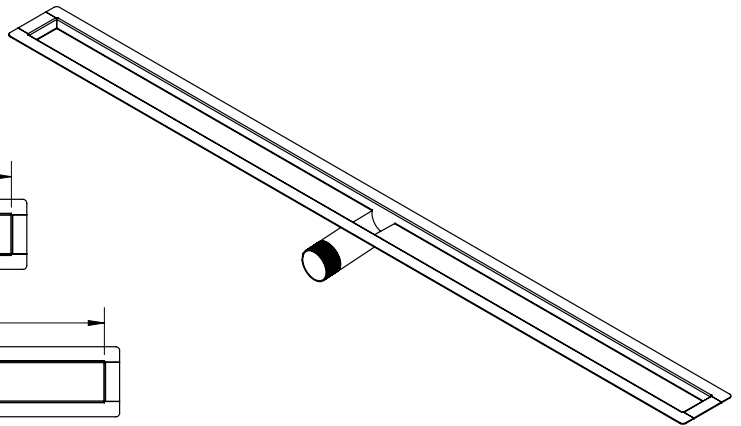
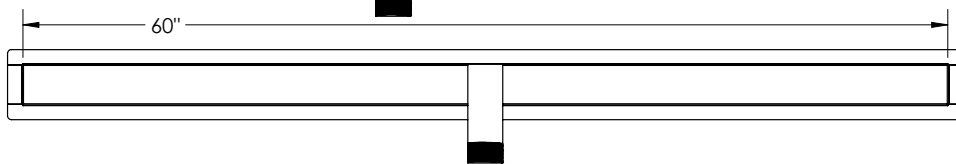
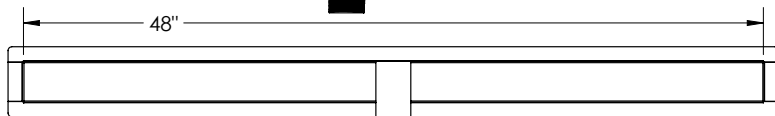
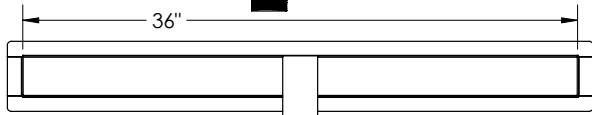
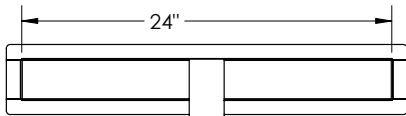
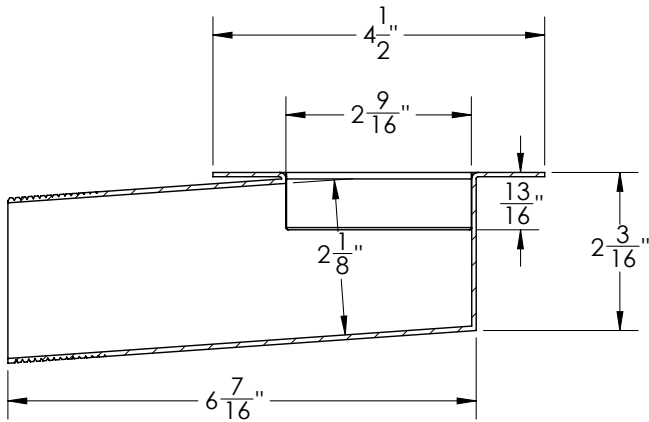
OCH 65 Specifications ID Infinity Drain

OCH 65:

- Stainless steel flanged channel for FT 65 Series
- Fixed Length NOT Site Sizable™
- Compatible with liquid / fabric waterproofing
- 2" threaded outlet connection

Models (overall dimensions):

- OCH 6524: 26 1/8" L x 7 1/2" W x 2 5/8" H
- OCH 6532: 34 1/8" L x 7 1/2" W x 2 5/8" H
- OCH 6536: 38 1/8" L x 7 1/2" W x 2 5/8" H
- OCH 6542: 44 1/8" L x 7 1/2" W x 2 5/8" H
- OCH 6548: 50 1/8" L x 7 1/2" W x 2 5/8" H
- OCH 6560: 62 1/8" L x 7 1/2" W x 2 5/8" H



Infinity Drain
 145 Dixon Avenue
 Amityville, NY 11701
 Phone: 516.767.6786
 Fax: 516.740.3066
 www.infinitydrain.com



NOTE: Installer must verify all rough-in dimensions prior to installation and consult local and national codes. Conformity and compliance to local and national codes are the responsibility of the installer.