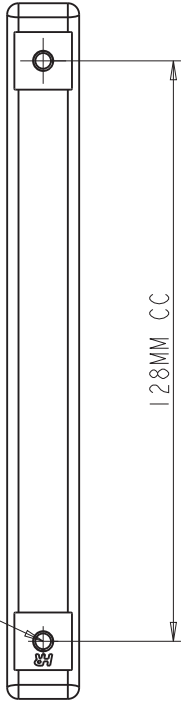
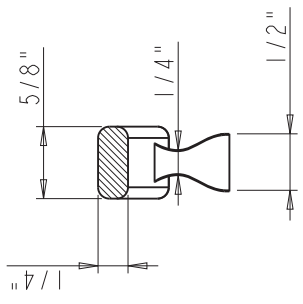
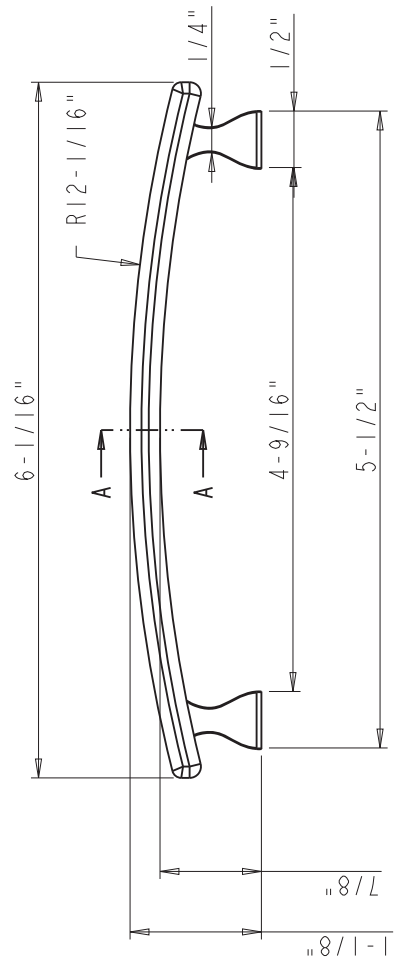
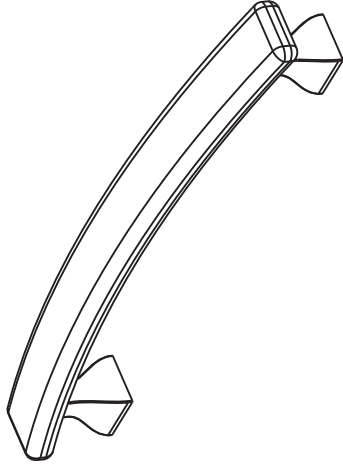


8-32 UNC -  $\nabla$  1/2"



128MM CC



SECTION A-A



PROPRIETARY AND CONFIDENTIAL  
 THE INFORMATION CONTAINED  
 IN THIS DRAWING IS THE SOLE  
 PROPERTY OF HARDWARE  
 RESOURCES INC.  
 ANY REPRODUCTION IN PART OR  
 AS A WHOLE WITHOUT THE  
 WRITTEN PERMISSION OF  
 HARDWARE RESOURCES INC. IS  
 PROHIBITED.

ITEM:	449-128	MATERIAL:	ZINC
FINISH:		WEIGHT:	113.2
		PROJECTION:	9
UNITS:		PROJECTION:	1st Angle
TOLERANCE UNLESS OTHERWISE SPECIFIED:		DRAWN BY:	Alexander.W
X ±0.20		APPROVED BY:	
X.X ±0.10		DATE:	Jan-11-19
X.XX ±0.05		DATE:	
ANGULAR: ±0.5°		SHEET:	
DO NOT SCALE DRAWING		RELEASE LEVEL:	
		REVISION:	