

"No Wiggle" Base Filler

Installation Instructions for the BFPO2 Series

IMPORTANT:

Before you begin, make sure you familiarize yourself with all the parts and fully read the instructions.

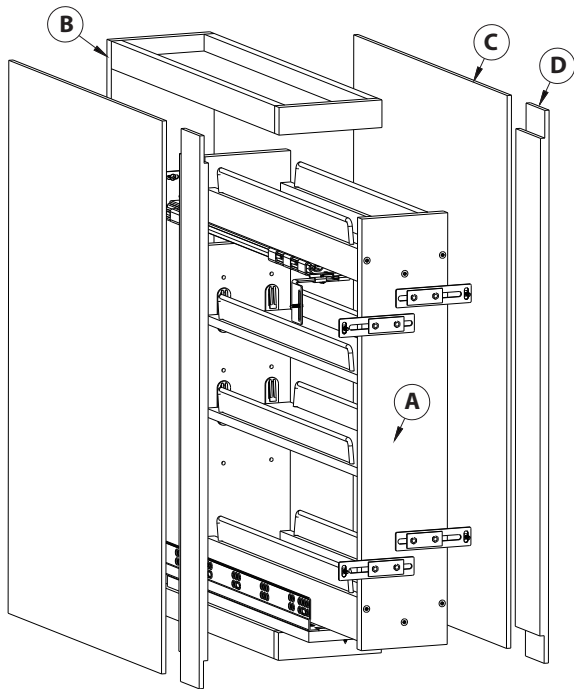
CUSTOMER SERVICE:

Toll free customer help line available weekdays between 7:00am and 6:00pm Central Time at 800-463-0660.

TOOLS NECESSARY:

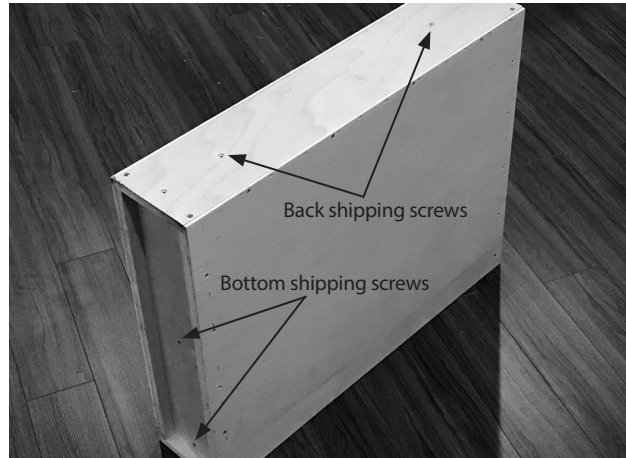
Screw gun or Phillips screwdriver and tape measure. NOTE: If screw gun has a clutch, set to lowest setting so as not to over tighten and/or strip screws.

PARTS IDENTIFICATION:



A	Base Filler Pullout	1 pcs
B	C-Frame with Base	1 pcs
C	Outer Skin	2 pcs
D	Skin Brace	2 pcs
E	#8 x 5/8 Flat Head Phillips Wood Screws	4 pcs

STEP 1



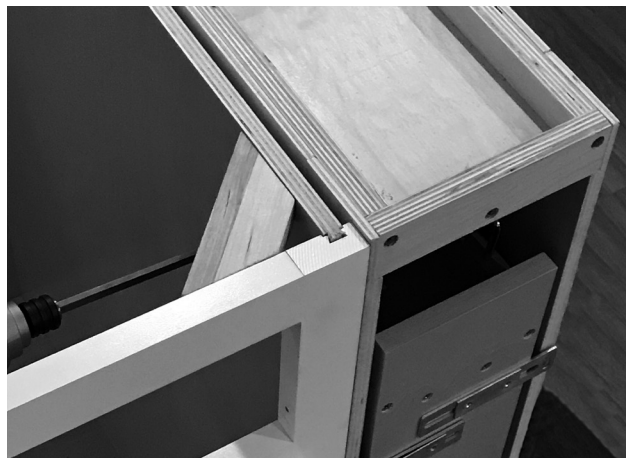
Remove shipping screws located on the back and bottom of filler.

STEP 2



Align filler behind adjacent cabinet face frame or 3/4" offset from front on frameless.

STEP 3



Screw in filler from the adjacent cabinet (hardware not included).

STEP 4



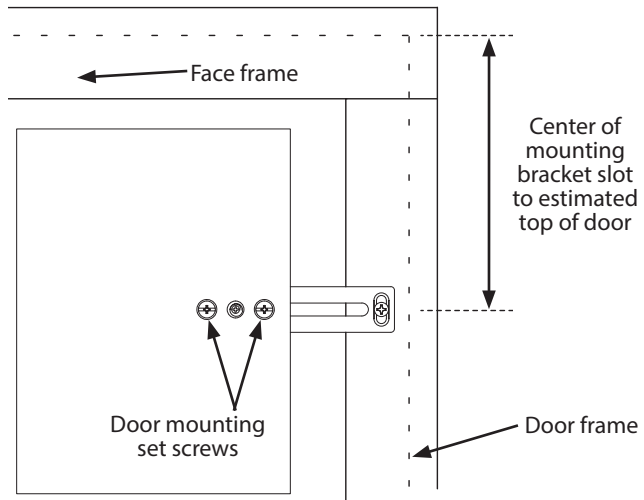
Loosen door mounting bracket screws.

STEP 5



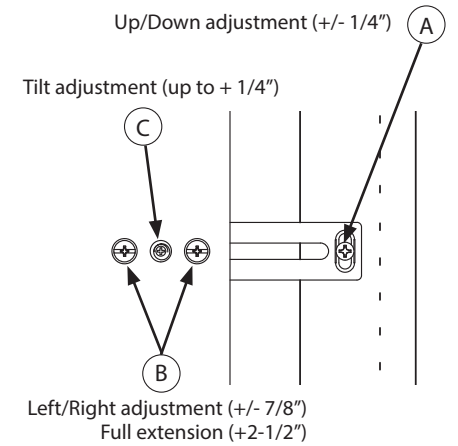
Loosen door mounting bracket screws.

STEP 6



Loosen the door mounting set screws and slide bracket out to desired position to attach to the door rail. Measure from the center of the slot on the door mounting bracket to the estimated top of door. Mark door with measurement for both top brackets. Install door with the four (4) #8 x 5/8 Flat Head Phillips Wood Screws provided. (NOTE: DETERMINE CORRECT SCREW LENGTH TO DOOR PANEL THICKNESS)

STEP 7



To adjust door up or down loosen door mounting screws (A). To adjust left or right, loosen both set screws (B) adjust and retighten. To adjust tilt, loosen both set screws (B) and then turn tilt screw (C) clockwise to desired distance and then retighten set screws.