

## W4310501-2 - 4" Center Set Faucet

### Description

- Metal wrist blade handles
- 90 degree turn brass Ceramic disc cartridges
- 1/2" NPS connections
- 50-50 pop-up assembly
- 1.2 GPM ASME Compliant

### Standards

- Complies with IAPMO UPC/cUPC
- California AB1953 compliant
- ADA Accessibility Guidelines for Buildings and Facilities - 4.27.4 Controls and Mechanisms
- CALGreen compliant
- EPA WaterSense Certified by IAPMO R&T



### Colors / Finishes

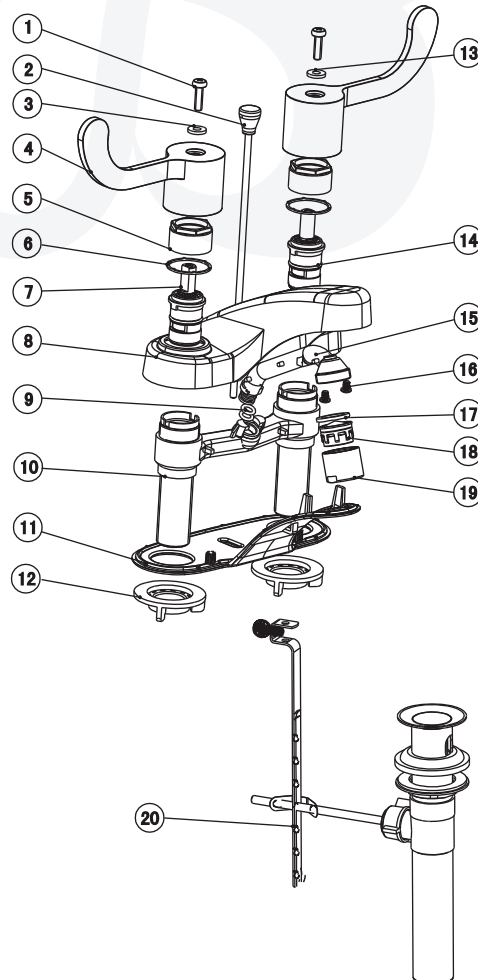
W4310501-2 - Chrome

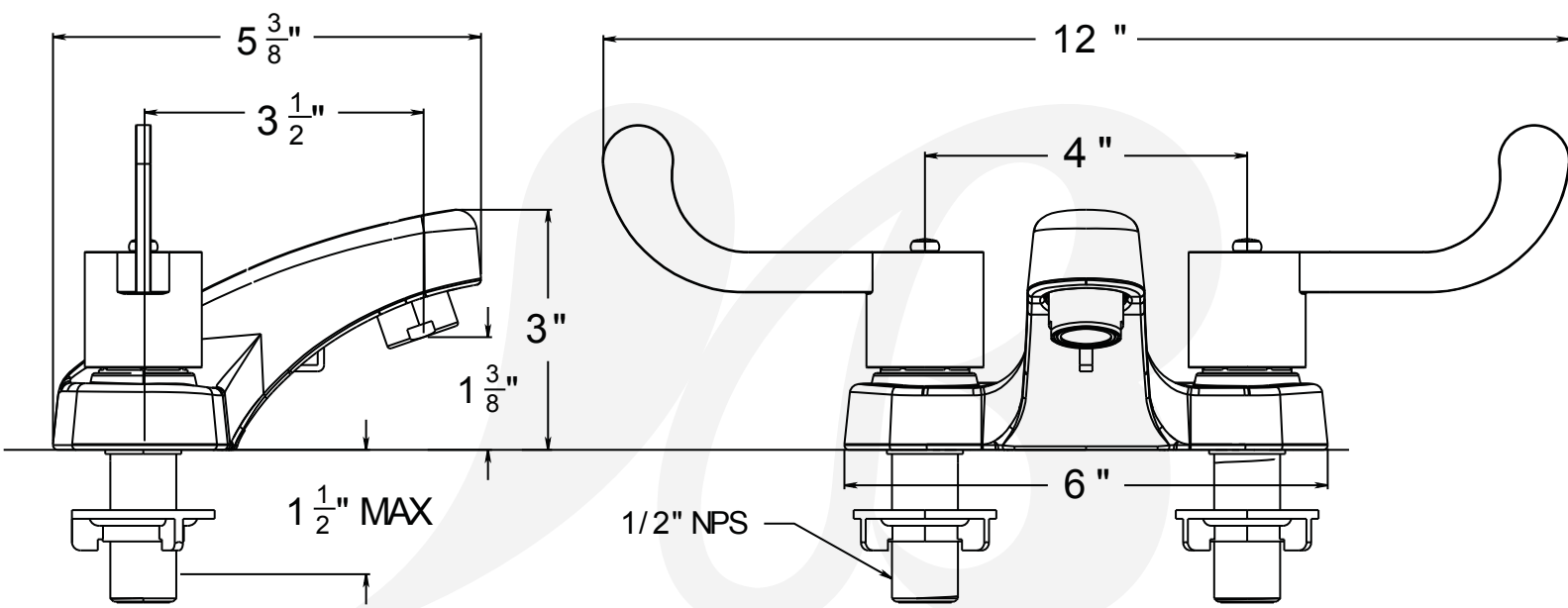


• W4310501-2

## BREAK DOWN Component Parts List

NO.	Part No	Qty
01	CTST0057	2
02	ATBM0022	1
03	CTRP0068-XR	1
04	CTHZ0279	2
05	CTNZ0004	2
06	CTWP0075	2
07	ATBA5008	1
08	CTCZ0157	1
09	CTRR0066	2
10	ATBY0184	1
11	CTCP0365	1
12	CTNP0011	2
13	CTRP0068-XD	1
14	ATBA5007	1
15	CTPP0036	1
16	CTST1000	2
17	CTWR0021	1
18	ATBX0040	1
19	CTXB0071	1
20	ATAA0067	1





Item Number	Type	Date
W4310501-2	Center SEt	2-3-2016