

Axiom Collection

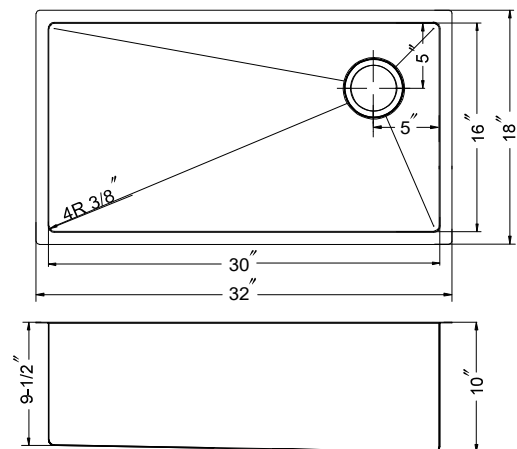
10mm Radius Offset Undermount Large Single Bowl Model AXI-OS3218S



FEATURES

- Premium grade T-304 stainless steel
- 10" depth • 16 gauge
- TotalGuard+ Insulation over Sound Deadening Pads
- 10mm/0.4" Radius Coved Corner
- Brushed Satin • Offset Drain
- 3-1/2" drain opening
- Fits 36" sink base
- Supplied with cutout template, fasteners and instructions
- Lifetime Limited Warranty

AXI-OS3218S



OPTIONAL ACCESSORIES

- Bottom Grid: SWG-OS3016
- Cutting Board : CUT-1518
- Strainer: BAS-2000-SS

OVERALL DIMENSIONS	EACH BOWL	CUTOUT SIZE	PACKAGING*	WEIGHT*
32" x 18"	30" x 16"	See Template	1/12 pcs.	32/424 lbs.

*Standard packaging: Single boxed /Pallet of single boxed.
All dimensions are in inches. Specifications subject to change without notice.

Project/Job name _____

Architect/Engineer _____

Contractor _____

Model _____ Qty _____

Notes _____

Installation profile

