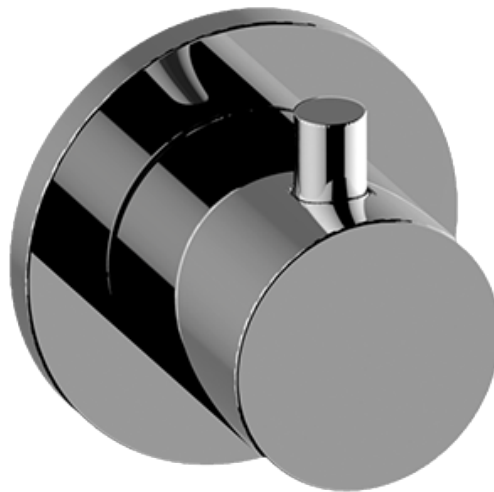


SHOWER
M-Series Round Two-Way Diverter
Valve Trim Plate and Handle
G-8068-RH1-T



Information

- Single metal handle
- Decorative trim plate
- Use with G-8052 2-way diverter (pass through) control rough valve WITH off function
- To complete package, you must order rough valve

Finishes



G-8068-RH1-T

M-Series Round Two-Way Diverter Valve Trim Plate and Handle



Product Features

- Single metal handle
- Decorative trim plate
- To complete package, you must order G-8052 2-way diverter valve WITH off function and pass through

Warranty

- Limited lifetime warranty

For complete warranty information go to <https://www.graff-designs.com/en/info/faqs>

Available Finishes

- Polished Chrome
G-8068-RH1-PC-T
- Polished Nickel
G-8068-RH1-PN-T
- Brushed Nickel
G-8068-RH1-BNi-T
- Matte Black*
G-8068-RH1-MBK-T*
- Architectural Black*
G-8068-RH1-BK-T*
- Architectural White*
G-8068-RH1-WT-T*
- Unfinished Brushed Brass*
G-8068-RH1-UBB-T*
- Unfinished Brass*
G-8068-RH1-UB-T*
- Steelnox (Satin Nickel)
G-8068-RH1-SN-T
- Olive Bronze*
G-8068-RH1-OB-T*
- Gunmetal*
G-8068-RH1-GM-T*
- OR'osa PVD*
G-8068-RH1-RG-T*
- Brushed OR'osa PVD*
G-8068-RH1-BRG-T*
- Onyx PVD*
G-8068-RH1-OX-T*
- Brushed Onyx PVD*
G-8068-RH1-BOX-T*
- Polished Brass PVD*
G-8068-RH1-PB-T*
- Brushed Brass PVD*
G-8068-RH1-OX-T*
- 24K Brushed Gold*
G-8068-RH1-BAU-T*
- 24K Gold*
G-8068-RH1-AU-T*

* Special order finish- call for availability

