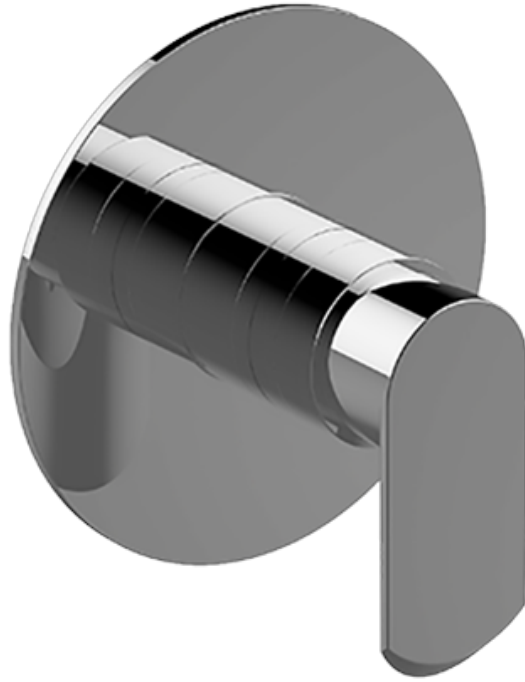


SHOWER
Phase Thermostatic Valve Trim
with Handle
G-8036-LM45S-T

GRAFF[®]



Information

- Single metal handle and decorative trim plate
- Use with G-8000 or G-8005 thermostatic rough valve
- ADA

Finishes



Brushed
Nickel



Olive Bronze



Polished
Chrome



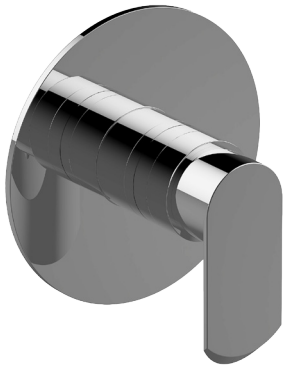
Polished
Nickel

G-8036-LM45S

Phase Collection

Thermostatic Valve Trim with Handle

GRAFF[®]
CUTTING EDGE DESIGN



Product Features

- Single metal handle and decorative trim plate
- Use with G-8000 or G-8005 thermostatic rough valve

Available Finishes

- Polished Chrome
G-8036-LM45S-PC
- Brushed Nickel
G-8036-LM45S-BNi
- Polished Nickel
G-8036-LM45S-PN
- Olive Bronze™
G-8036-LM45S-OB*

* Special order finish- call for availability

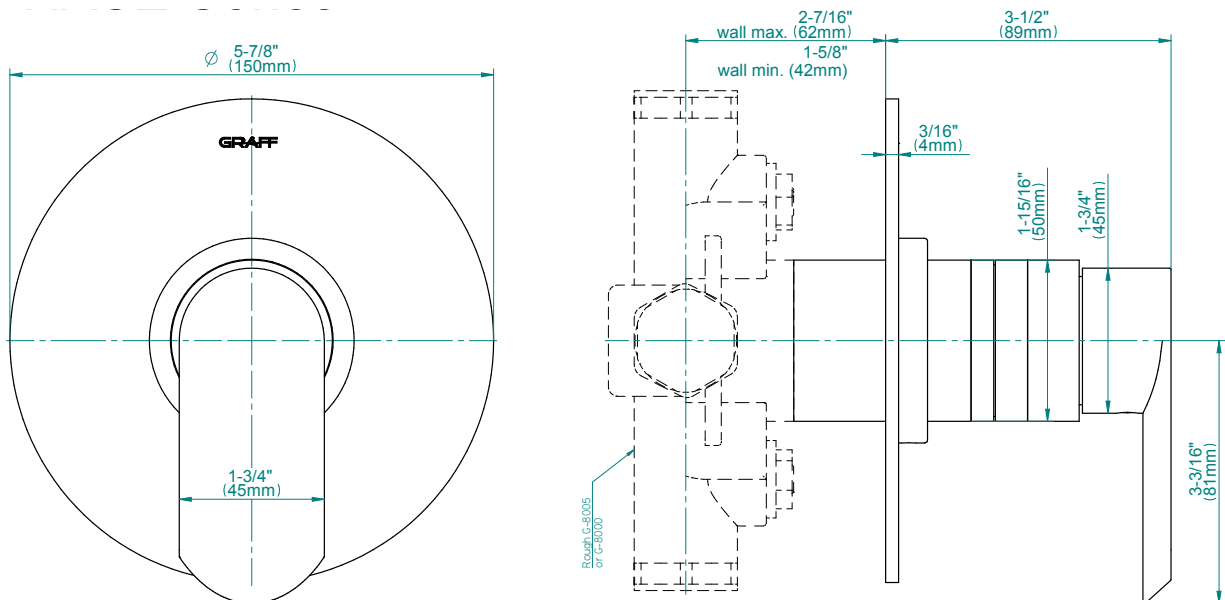
Code Compliance

- ADA

Warranty

- Limited lifetime warranty

For complete warranty information go to www.graff-faucets.com/en-nam/warranty



The measurements shown are for reference only. Products and specifications shown are subject to change without notice. Revised 06/2014.

www.graff-faucets.com | phone: 800-959-4723