

*Complement
your purchase
with these
fine accessories
also from
GINGER®*

*Towel Bars
Towel Rings
Toilet Tissue Holders
Hooks
Soap Dishes
Tumbler Holders
Toiletry Shelves
Grab Bars
Mirrors
Lights
Bud Vases
Hotel Shelves
Shower Curtain Rods
Soap & Bottle Baskets
Cabinet Hardware*

SURFACE®

INSTALLATION INSTRUCTIONS

for
Single
Light

GINGER®

460-N Greenway Industrial Drive
Fort Mill SC 29708

gingerco.com

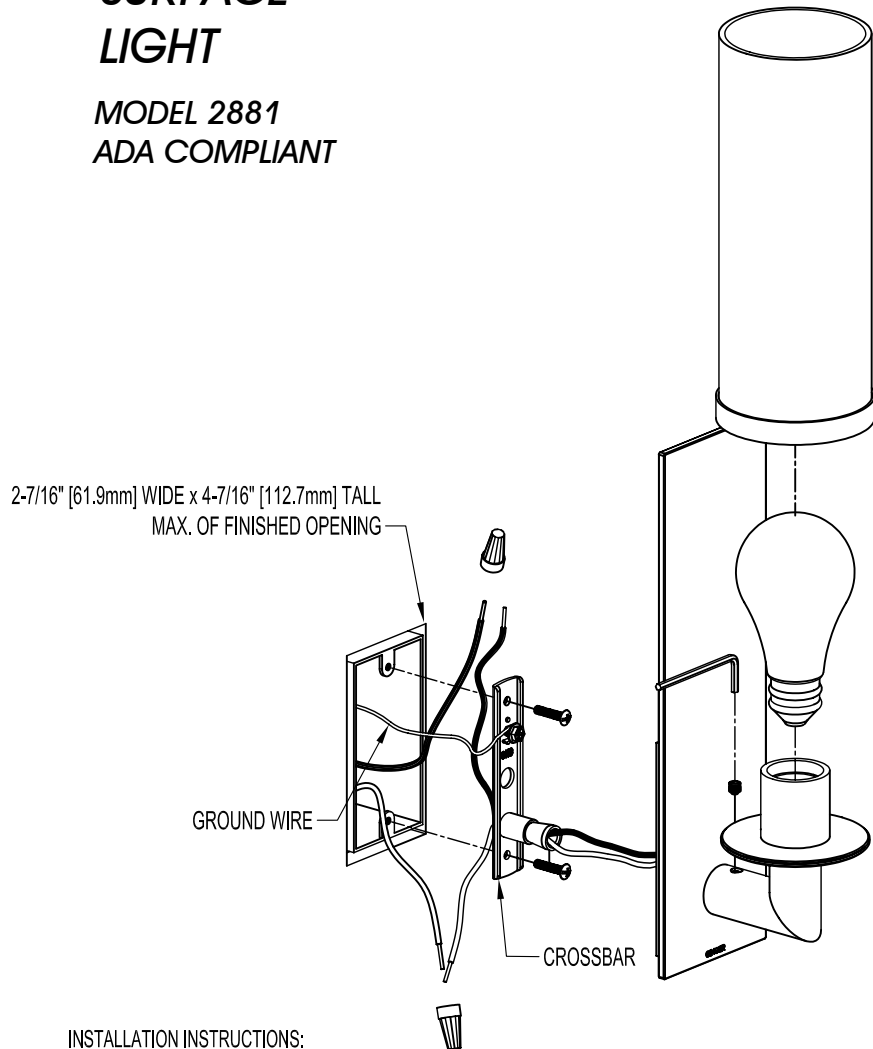
GINGER®

GINGER®

SURFACE LIGHT

***MODEL 2881
ADA COMPLIANT***

INSTALLATION INSTRUCTIONS



NOTES TO INSTALLER:

- A. THE BACKPLATE OF THIS FIXTURE WILL COVER A HOLE WITH A MAXIMUM SIZE OF 2-7/16" (61.9 mm) WIDE x 4-7/16" (112.7 mm) TALL. THE CROSSBAR IS DESIGNED TO MOUNT DIRECTLY ONTO A STANDARD OUTLET BOX WHICH SHOULD NOT PROTRUDE FROM THE FINISHED WALL SURFACE.
- B. THIS LIGHT MAY BE INVERTED IF DOWNLIGHTING IS PREFERRED.

INSTALLATION:

1. INSTALL CROSSBAR ONTO OUTLET BOX.
2. CONNECT THE HOUSE GROUND WIRE TO THE CROSSBAR WITH THE ATTACHED GREEN GROUND SCREW.
3. FEED THE LIGHT FIXTURE WIRES THROUGH THE SPINDLE ON THE CROSSBAR.
4. CONNECT THE WHITE WIRE OF THE FIXTURE TO THE HOUSE NEUTRAL (WHITE) WIRE WITH A WIRENUT.
5. CONNECT THE BLACK WIRE OF THE FIXTURE TO THE HOUSE HOT (BLACK) WIRE WITH A WIRENUT.
6. SLIDE THE FIXTURE OVER THE SPINDLE OF THE CROSSBAR UNTIL THE BACKPLATE IS FLUSH AGAINST THE WALL. TIGHTEN THE SETSCREW WITH THE PROVIDED WRENCH.
7. INSTALL LIGHT BULB.
8. SCREW SHADE ONTO FIXTURE. DO NOT OVERTIGHTEN.

INSTALLATION INSTRUCTIONS:

THESE LIGHTS SHOULD BE INSTALLED BY A LICENSED ELECTRICAL CONTRACTOR.

POWER REQUIREMENTS: 100 - 120 VOLTS

SAFETY: TO PREVENT ELECTRICAL SHOCK, BE SURE THAT THE POWER IS OFF BEFORE STARTING INSTALLATION.

CARE OF FINE BRASS

*To clean, use warm water only.
NEVER use abrasives or detergents.*