

Limited Lifetime Faucet Warranty

Fluid™ warrants its faucets to be free from defects in material and workmanship for as long as the original consumer/purchaser/owner owns his or her home.* Plastic and rubber components are warranted for a period of two years. This warranty applies only to original installation locations. If a defect is found in normal residential use, Fluid™ will, at its election, repair, provide a replacement part or product, or make the appropriate adjustment.

Fluid™ reserves the right to examine the product in question and its installation prior to replacement. This warranty is limited to replacement of defective parts only. Damage to a product caused by accident, improper installation, misuse or abuse, improper care of finishes, hard water or mineral deposits, potassium or salt based water softener systems or exposure to corrosive materials is not covered by this warranty. Improper care and cleaning will void the warranty.** Replacement parts can be obtained from your local dealer or directly from the Fluid™ warehouse, (shipping charges may apply). Dated proof of purchase must accompany all warranty claims. This warranty applies only to Fluid™ faucets installed in the United States of America, Canada or Mexico (North America).

Fluid™ recommends using a certified plumber for faucet installation and repair. Incidental and consequential damages, labor charges, repair or replacement costs are expressly excluded. In no event shall the liability of Fluid™ exceed the purchase price of the faucet. Some states and provinces do not allow the exclusion or limitation of incidental or consequential damages, so the above limitation may not apply to you. This warranty gives you specific legal rights which vary from state/province to state/province. If you find any such problem with your product, please immediately contact your nearest Fluid™ dealer or sales representative.

Need Help?

For additional assistance
Toll Free: 1 800 460 7019
Fax: 1 604 430 5050
help@sustainablesolutions.com
www.sustainablesolutions.com

* Two year warranty on commercial applications.

** Never use cleaners containing abrasive cleansers, ammonia, bleach, acids, waxes, alcohol, solvents or other products not recommended for surface finishes. This will void the warranty.

This product meets or exceeds the following standards:

ASME A112.18.1 / CSA B125.1

This product has been tested and certified by IAPMO.



IAPMO LISTED



**Sustainable
Solutions**

Sustainable Solutions
Phone: 1 800 460 7019
www.SustainableSolutions.com

Thermostatic Valve Set / V5 / 2019

fluid |

Sustainable Solutions

Installation Instructions for Thermostatic Valve Set F5002B / F5003B / F5100B

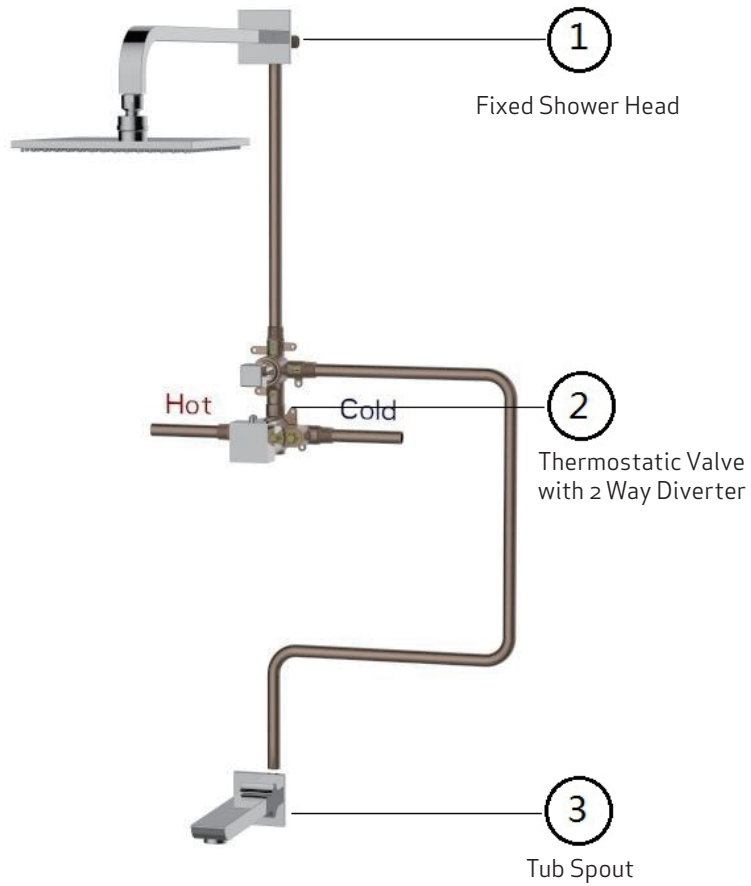


Do not complete and cover over rough in installation until valve and diverter (if any) have been fully water tested for any leaks.

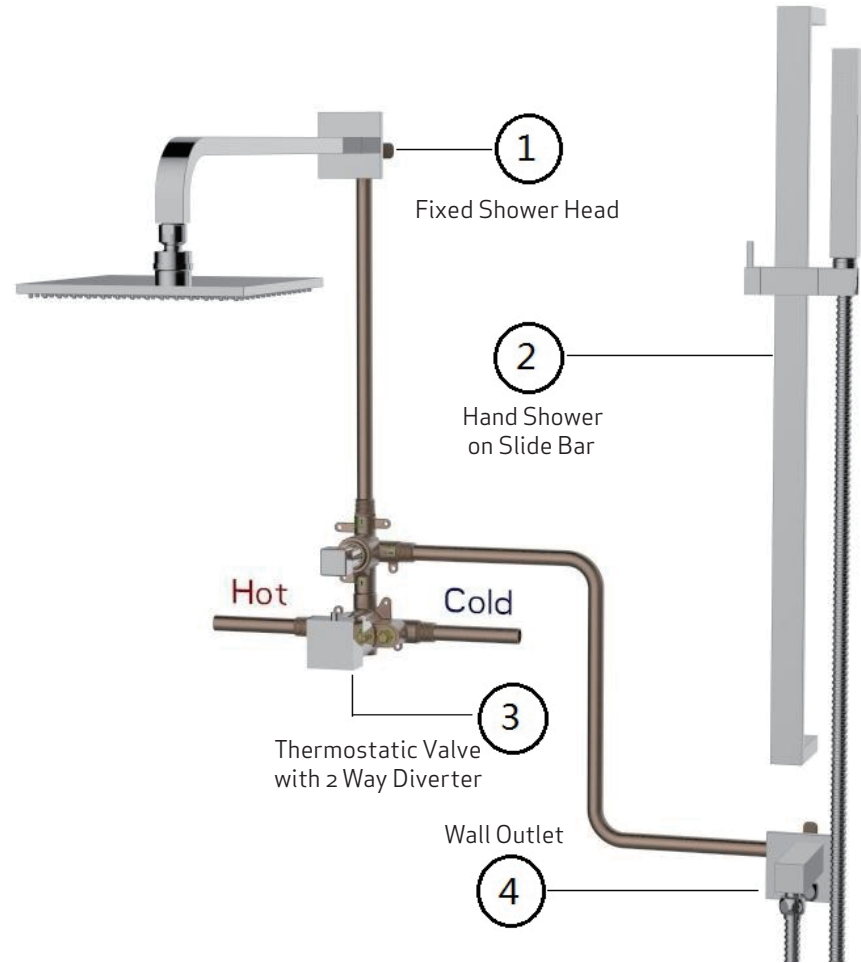
Please Keep This Manual For Future Reference

Recommended Installation Layout with Thermostatic Valve with 2 Way Diverter F5002B

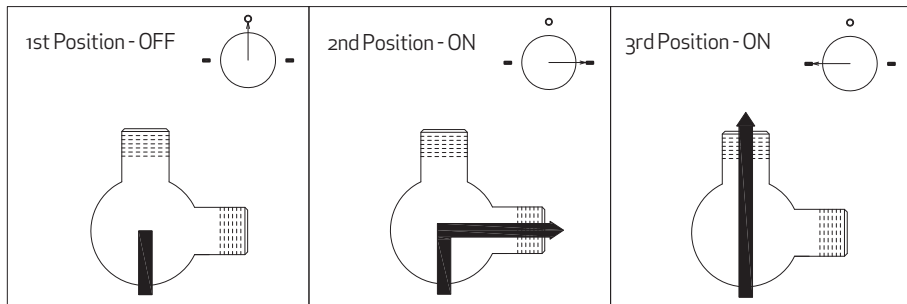
Tub and Fixed Shower



Fixed Shower and Handheld Shower on Slide Bar

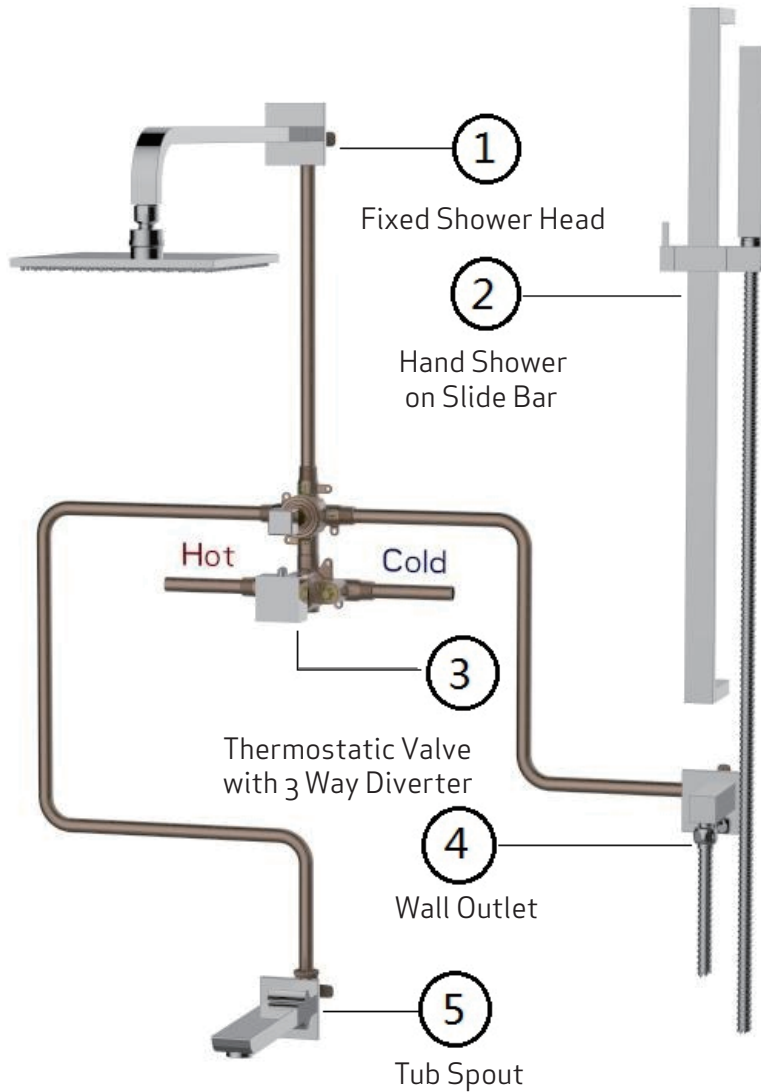


Water Flow For 2 Way Diverter Valve ○ Closed — Open



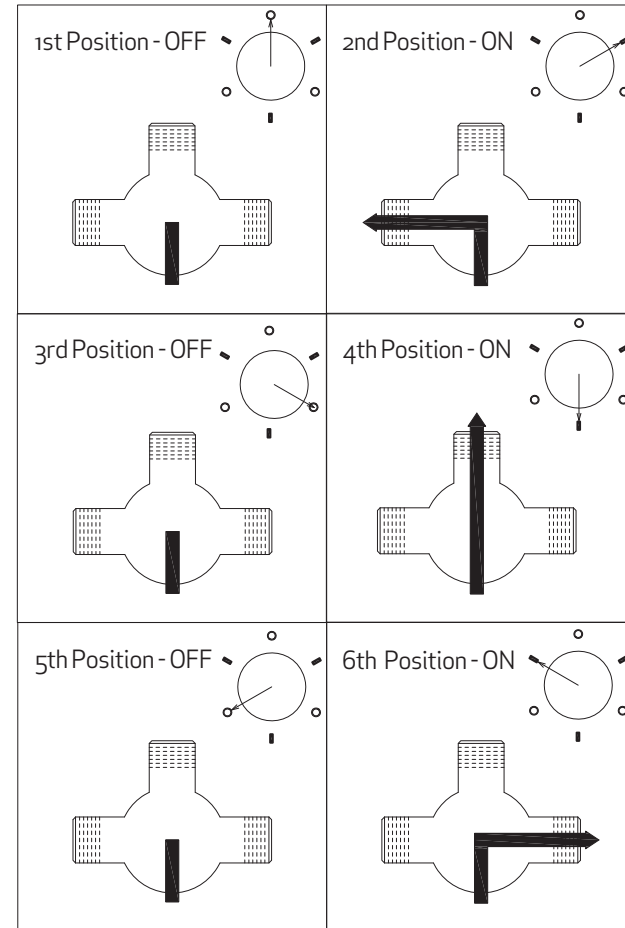
Recommended Installation Layout with Thermostatic Valve with 3 Way Diverter F5003B

Tub and Handheld Shower on Slide Bar



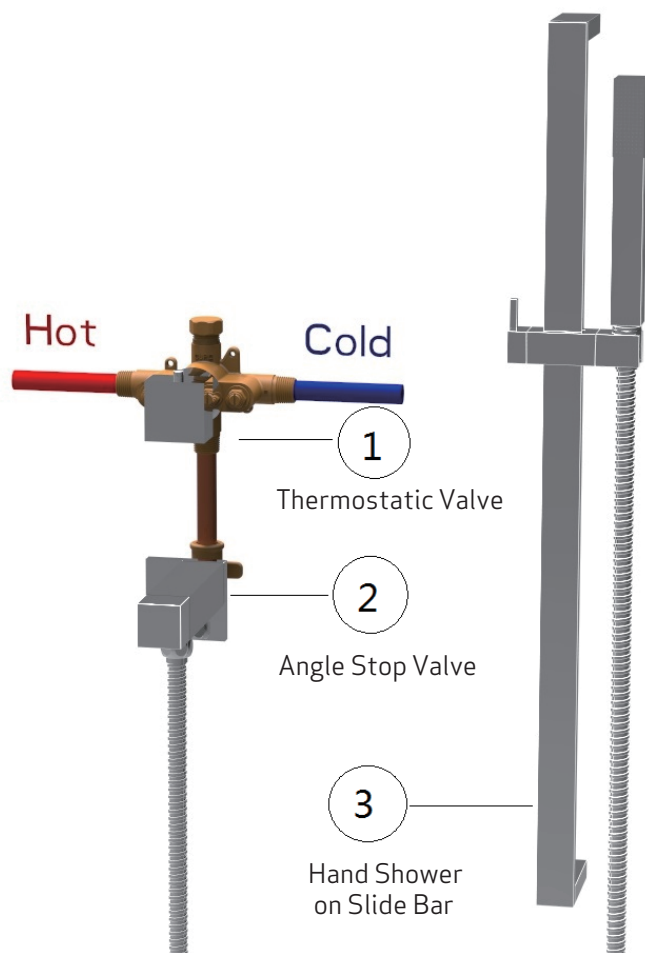
Water Flow For 3 Way Diverter Valve

○ Closed — Open

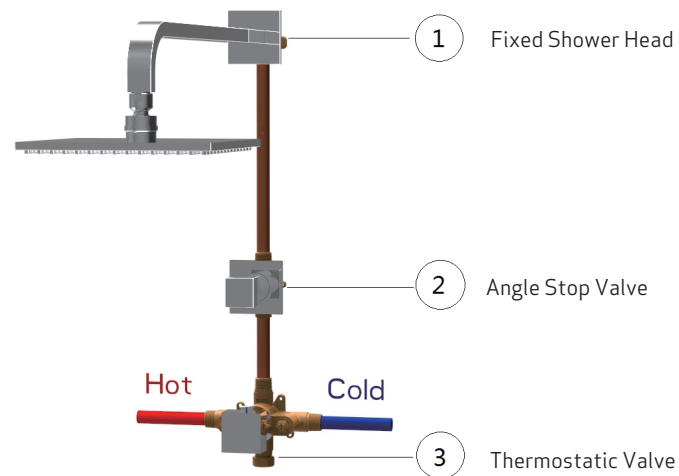


Recommended Installation Layout with Thermostatic Valve F5100B

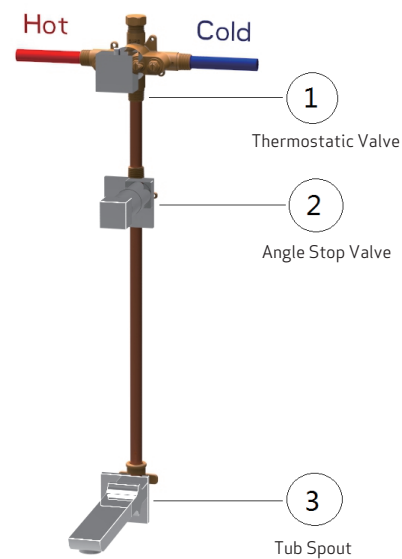
Handheld Shower on Slide Bar



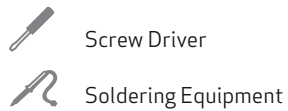
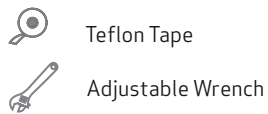
Fixed Shower Only



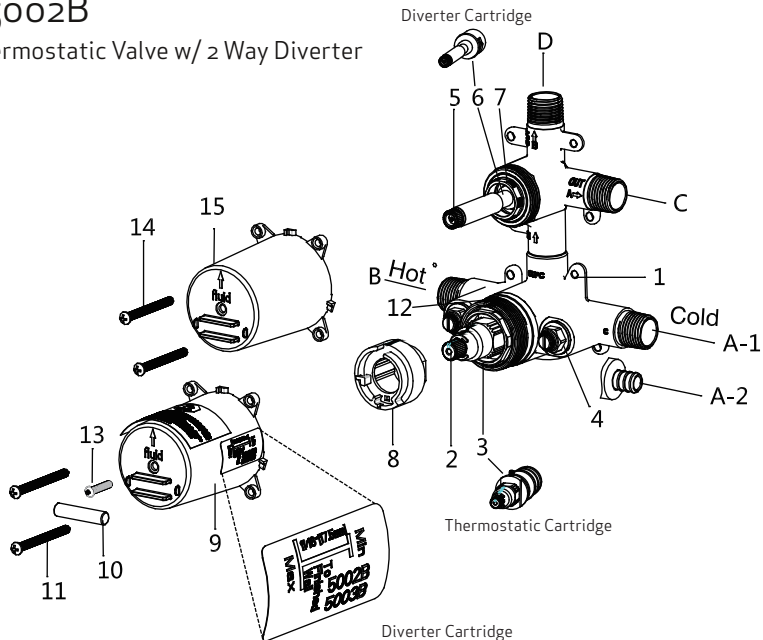
Tub Spout ONLY



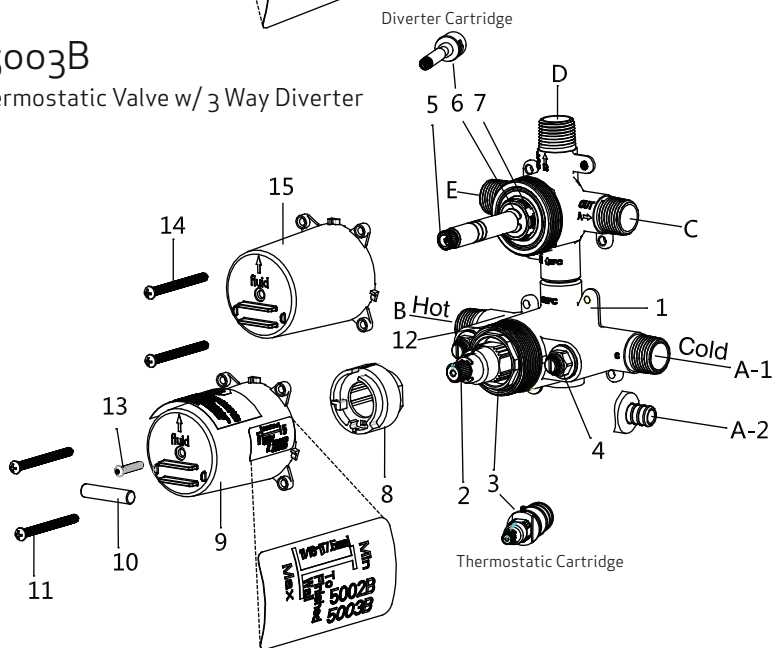
Tools Required for Installation



F5002B Thermostatic Valve w/ 2 Way Diverter



F5003B Thermostatic Valve w/ 3 Way Diverter



Valve Installation Instructions

1. Shut off cold and hot water supplies.
2. Make sure to use the enclosed Cutout Template to cut the wall opening correctly.
3. Use mounting brackets with screws (not supplied) to install thermostatic valve body (#1) so the FINISHED wall surface is between the MIN and the MAX mark on the mud guard (#9).
NOTE: Make sure the arrow on the mud guard (#9 and #15) points upwards, and use the bubble level (#10) for leveling reference.
4. Connect the valve body (#1) to water supplies using proper fittings (copper tubing, iron pipe or PEX). (A) is the cold inlet port and (B) is the hot inlet port.
- 5.1 For 1/2" Copper Tube Soldering Connections: Solder water supply tube to valve body (#1).
NOTE: Prior to soldering remove integral stops, thermostatic cartridge and diverter cartridge! Remove integral check stops (#4) by loosening hex nut counterclockwise. Remove thermostatic cartridge (#2) by pulling out temperature stop ring (#8) and unscrewing retaining nut (#3) with a 1-9/32" socket wrench. Remove diverter cartridge (#6) by unscrewing retaining nut (#7) with a 29/32" socket wrench. Avoid soldering excessively at high temperature.
- 5.2 For 1/2" IPS Thread Connections: Apply Teflon tape onto threaded ends and connect water lines.

FOR THERMOSTATIC VALVE WITH 2-Way or 3-Way Diverter F5002B / F5003B:

- 6a. This thermostatic valve is fitted with either a 2-way diverter with 2 outlets (#C and #D) or 3-way diverter with 3 outlets (#C, #D and #E). The diverter valve turns water on and off as well as diverts the mixing flow to different outlets. Connect outlets to shower elements using proper fittings and piping. Any unused outlets should be sealed with a cap (not supplied).
NOTE: For maximum flow rate, it's recommended to use either 1/2" nominal copper pipe or 1/2" iron pipe from the valve body to the tub spout and NOT to use PEX fitting.

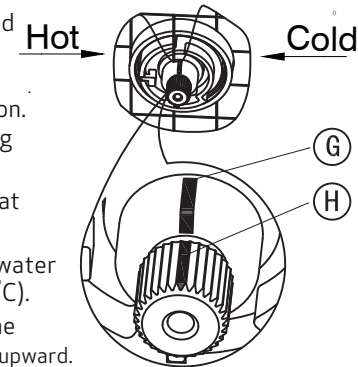
FOR THERMOSTATIC VALVE F5100B:

- 6b. To use one or both of top and bottom outlets, make sure to connect pipes to the shower elements with independent flow control devices.
7. Before putting the valve into use, please make sure that the flathead screws on the integral check stops (#4) are all the way out to ensure the stops are completely open for maximum flow.

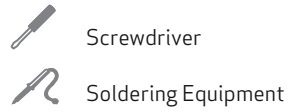
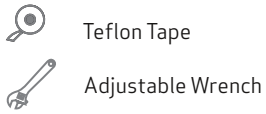
Adjusting Water Temperature

The thermostatic valve is preset at the factory and tested at 100 F (38°C) indicated by the black mark (#H) on the spindle aligning with the straight black line (#G) on the thermostatic cartridge body at the twelve o'clock position. To calibrate temperature according to your own operating conditions, follow the steps below:

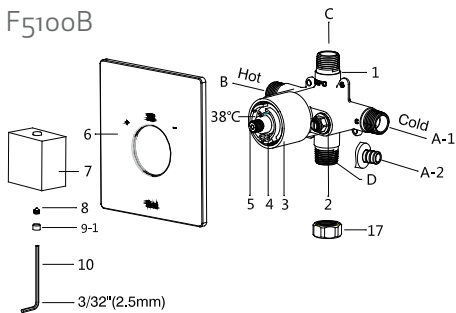
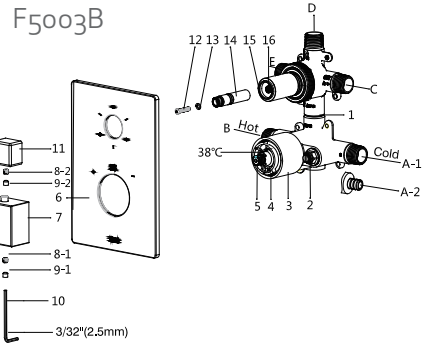
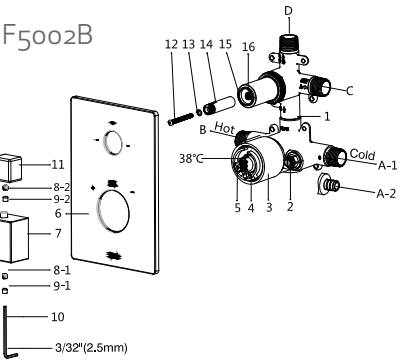
1. Turn on the valve and check the temperature of water at any shower element with a thermometer.
2. Turn the spindle clockwise or counter-clockwise until water temperature at the shower element reaches 100°F (38°C).
3. Ensure the temperature stop ring (#8) is fitted onto the thermostatic cartridge (#2) with the open slot pointing upward.
4. Install temperature handle (supplied in the trim package) so that the anti-scalding push button on the thermostatic cartridge (#2) is at the top.



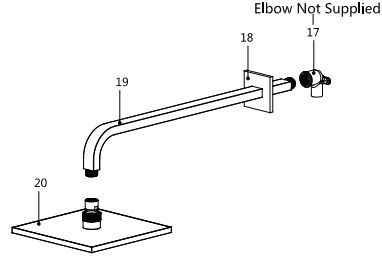
Tools Required for Installation



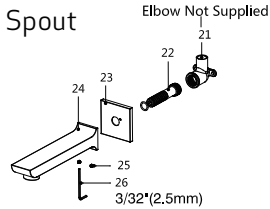
1. Cover and Handle



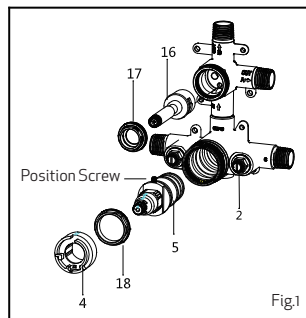
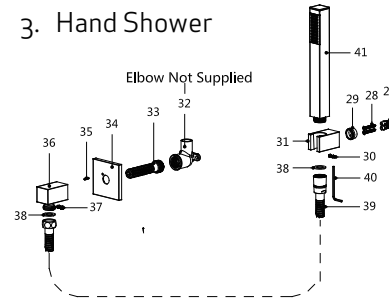
2. Fixed Showerhead



2. Tub Spout



3. Hand Shower



Trim Installation Instructions

Use one of the Recommended Installation Layouts to plan your trim installation.

1. For Cover and Handle Installation
 - 1.1 Remove mud guard from the valve body.
 - 1.2 Screw sleeve tubes (#3 and #16) onto the valve body.
 - 1.3 Slide cover plate (#6) over two sleeve tubes(#3 and #16) for valve F5002B and F5003B or slide over sleeve tube (#3) only for valve F5100B.
 - 1.4 Apply a small bead of silicone onto four corners of the backside of the square cover plate (#6) OR peel the white tape off seal gasket on the backside of the round or the soft square cover plate.
 - 1.5 Gently press cover plate (#6) against the finished wall.
 - 1.6 After adjusting water temperature (refer to page 8) and ensuring temperature stop ring (#4) is in place, install temperature handle (#7) onto spindle (#5) so that the push button is at the top. Use Allen wrench (#10) to secure set screw (#8-1) and push in silicone plug (#9-1).
 - 1.7 To position diverter handle (#11) at the desired upward position, loosen screw (#12), rotate spindle adapter (#14) and at the same time rotate diverter handle (#11) until the desired position is achieved.
 - 1.8 Secure the spindle adapter (#14) with screw (#12) and diverter handle (#11) with set screw (#8-2) by using Allen wrench (#10). Push in silicon plug (#9-2).

2. For Fixed Showerhead Installation
 - 2.1 Make sure 1/2" threaded elbow (#17) is installed securely inside the wall.
 - 2.2 Slide flange (#18) over shower arm (#19).
 - 2.3 Apply Teflon tape onto threads, and screw shower arm (#19) into 1/2" threaded elbow (#17) inside the wall.
 - 2.4 Apply Teflon tape onto threads and thread shower head (#20) onto shower arm (#19).
3. For Tub Spout Installation
 - 3.1 Make sure 1/2" threaded elbow (#21) is installed securely inside the wall.

- 3.2 Thread "Quick Connector" (#22) into threaded elbow (#21).

NOTE: For "Quick Connector" (#22) installation details, refer to the enclosed General Instruction for "Quick Connector".
- 3.3 Slide escutcheon (#23) and tub spout (#24) over "Quick Connector" (#22) all the way against the finished wall.
- 3.4 Secure tub spout (#24) with two set screws (#25) by using 3/32"(2.5mm) Allen wrench (#26).
4. For Handheld Shower Wand Installation
 - 4.1 Make sure 1/2" threaded elbow (#32) is installed in place securely inside the wall.
 - 4.2 Apply Teflon tape onto threads and screw "Quick Connector" (#33) into threaded elbow (#32).
 - 4.3 Slide escutcheon (#34) over "Quick Connector" (#33).

NOTE: For "Quick Connector" (#22) installation details, refer to the enclosed General Instruction for "Quick Connector".
 - 4.4 Install water outlet (#36) into "Quick Connector" (#33). Pin (#35) is inserted only into square outlet.
 - 4.5 Use Allen wrench (#40) to secure set screw (#37).
 - 4.6 Determine location of handheld shower holder (#31).
 - 4.7 Mark position of mounting bracket (#29) on the finished wall.
 - 4.8 Drill holes per marks and insert plastic anchors (#27) into the finished wall.
 - 4.9 Secure mounting bracket (#29) against the wall by fastening screws (#28).
 - 4.10 Secure holder (#31) with set screws (#30) using Allen wrench (#40).
 - 4.11 Insert rubber washers (#38) into the thread fittings of flex hose (#39).
 - 4.12 Thread flex hose (#39) onto water outlet elbow (#36) and handheld shower wand (#41) at the end of flex hose (#39).

Cleaning and Maintenance Instructions

For Thermostatic Cartridge (#5) as shown in Fig. 1:

1. Close two integral check stops (#2) by turning clockwise with a flat head screwdriver.
2. Release line pressure by opening diverter cartridge (#16).
3. After removing temperature stop ring (#4) and retaining nut (#18) using an adjustable wrench. Pull the thermostatic cartridge (#5) out.
4. You may soak it in vinegar and water to remove calcium build-up and any debris.
5. To install the thermostatic cartridge (#5), insert the cartridge into valve body with position screw pointing upward. Use two thumbs to push the thermostatic cartridge (#5) into the valve body. Replace the retaining nut (#18).

For Diverter Cartridge (#16) as shown in Fig. 1:

1. Close two integral check stops (#2) by turning clockwise with a flat head screwdriver.
2. After removing retaining nut (#17) using an adjustable wrench. Pull the diverter cartridge (#16) out.
3. You may soak it in vinegar and water to remove calcium build-up and any debris.
4. To install diverter cartridge (#16), insert cartridge into valve body by aligning large position pin on the bottom of diverter cartridge (#16) with large hole and small position pin with small hole. Use two thumbs to push the diverter cartridge (#16) into the valve body.
5. The diverter cartridge (#16) is properly installed if it can not be turned to left or right by hand.